



CTBRCB02JM02

SPECIFICATION INSTRUCTIONS



Lighting Controller

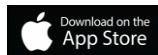
- Output Wattage: 600W Max.
- Universal Voltage (120-277VAC)
- 0-10V Luminaire
- 1/2" Knockout Mount
- IP66
- FCC ID : 2AJ9LCTRCB0XJM0XXXX

General Specifications

Input Voltage / Frequency	120 - 277VAC (+/- 10%), 50-60Hz
Input Current	5A Max.
Input Power	600W Max.
Standby Power	<1W
Maximum Load	Max 600W @ 120 - 277VAC
Input / Output Wires	Input Power (Line Voltage Input): Black (L), white (N) Load Power (Line Voltage Output): Red / Black (L1), White (N) 0-10V Output Control: Purple (+), Grey (-) 0-10V Output Control: Orange (+), Gray (-) SensorInput: RJ12 Cable
RFI/EMI	FCC PART 15A Non-Consumer, EN 55015
Potting/Degree of Fill	Yes / Full
Dimming Controller Type	Bluetooth mesh (SIG Compliant Declaration ID: D043332)
0-10Vdc Type / Channels	Current Sink - 10mA, Current Source - 10mA / Single Channel 0-10V Output
RF Communication Type	2.4GHz Bluetooth Mesh
Transmission Range	160ft. (50m)
Ambient Operating Temperature Range	-40°C to 60°C (-40°F to 140°F)
Maximum Driver Case Temperature (Tc) (Per UL)	85°C (185°F)
Input Surge Protection	Line-Nuetral 6kv
Mounting Type	Electrical Junction Box or Fixture with 1/2" Knockout / 0.875" (22mm)
Overall Size	5.17" L x 2.26" W x 1.29" H (131.5mm L x 57.6mm W x 33mm H)
Protections	Input Current Protection Output Short Circuit Protection Output Open Circuit Protection Overload Protection
Weight	360g / 0.79lbs.
Sound Rating	A
Service Life	50,000 hours lifetime @ Tc 60°C (140°F)
Warranty	5 years @ Tc 60°C (140°F)



Fulham EliteBlue



Fulham's EliteBlue commissioning app can be found on the Apple app store by searching "EliteBlue".
For web app, please visit <https://eliteblue.fulham.com>
Complete commissioning manual can be found at:
<https://www.fulham.com/PDFs/eliteBlue-commissioning-manual.pdf>

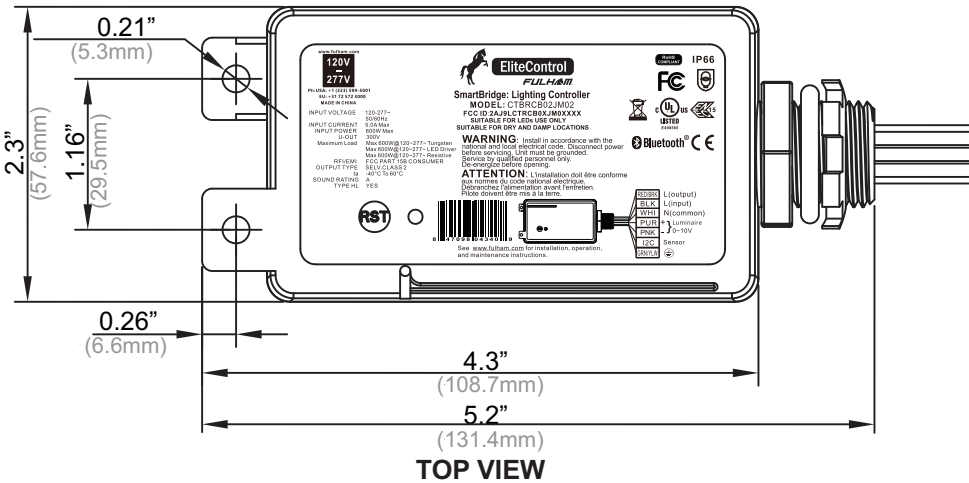


CTBRCB02JM02

SPECIFICATION INSTRUCTIONS



Mechanical Data



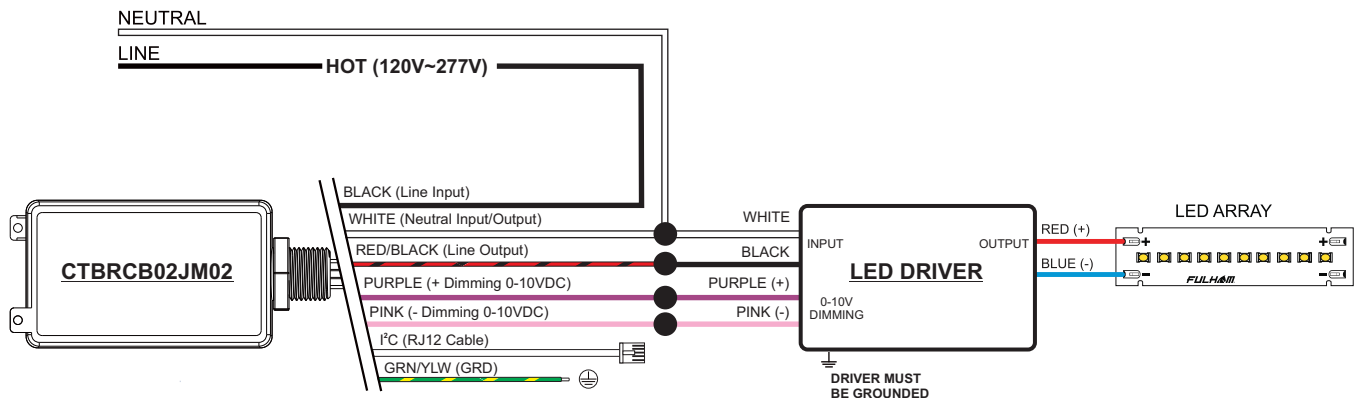
Mount screw: #10-24*1 inch
 Mounting hole for threaded pipe: 7/8" (22mm)

- Notes:**
1. Driver has two (2) mounting tabs with a round hole in each.
 2. Fasten a screw through the mounting tab if mounted on a flat surface.

Overall Dimensions	
Length	5.17" [131.5mm]
Width	2.26" [57.6 mm]
Height	1.29" [33mm]
Wire Length	
AC Input (White/Black)	12.4" [315mm]
LED Output (Red/Black)	12.4" [315mm]
Control 0-10V (Pink/Purple)	12.4" [315 mm]
RJ12	17.3" [440 mm]
Ground (Green/Yellow)	12.4" [315 mm]

Case Tolerance=±0.02" [0.5mm]

WIRING DIAGRAMS



Note: Pink or Gray dimming wire provided, use interchangeably.

Notes:
 Installation work and electrical wiring must be done by qualified person(s) in accordance with all applicable codes and standards, including fire-rated construction.

FCC Caution.

This device complies with part 15 of the FCC Rules. Operation is subject to the following two conditions:
 (1) This device may not cause harmful interference, and (2) this device must accept any interference received, including interference that may cause undesired operation.
 Any Changes or modifications not expressly approved by the party responsible for compliance could void the user's authority to operate the equipment.



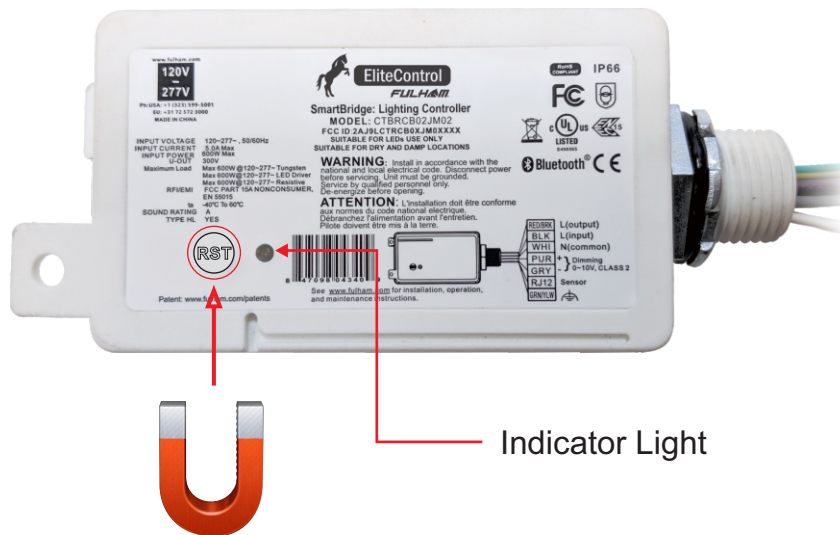
CTBRCB02JM02

SPECIFICATION INSTRUCTIONS



Restoring Factory Settings

- To reset the unit you will need to place and hold a magnet for 10 seconds on the reset icon (RST) on the location of the unit shown in the image below.
- Once the magnet has been placed the Indicator Light will stay lit and begin to flash until it shuts off indicating that the unit has been successfully reset.
- Remove the magnet from the unit, the Indicator Light will light up and flash repeatedly
- The unit is now ready to be provisioned.





CTBRCB02JM02

SPECIFICATION INSTRUCTIONS



Part Number Matrix

CT	BRC	B	02	J	M	02
Lighting Control Controller	Subfamily	Primary Protocol & Powering	Primary Control Channels	Package	Secondary Protocol & Powering	Secondary Control Channels
CT = Controller	BRC = Bridge Controller	B = Bluetooth / Universal Input	02 = 2 Channel	J = J-Box Mount (Conduit Male Fitting Connector)	M = 0~10V	02 = 2 Channel

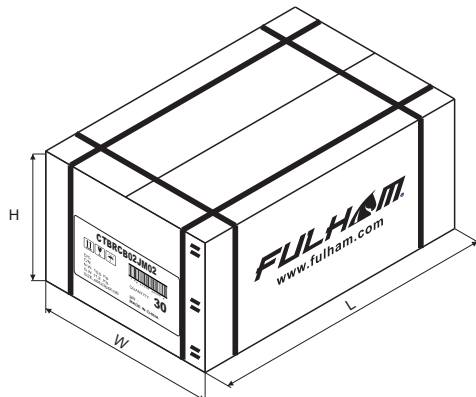
Product Image: LED Driver

CTBRCB02JM02



Packaging

Master Carton



OUTER DIMENSION		
L	W	H
16.69"(424mm)	8.81"(224mm)	7.67"(195mm)
Net Weight	Gross Weight	QUANTITY
23.14 lbs. (10.5kg)	24.69lbs. (11.2 kg)	30pcs.