

# FEP-230-600-L

## Electronic Ballast For Use With UV & Tanning Applications

This Ballast Will Operate Following Lamps:

**3 OR 4 F59T12HO / F72T12HO / F79T12HO  
2 F72T12VHO / F79T12VHO**



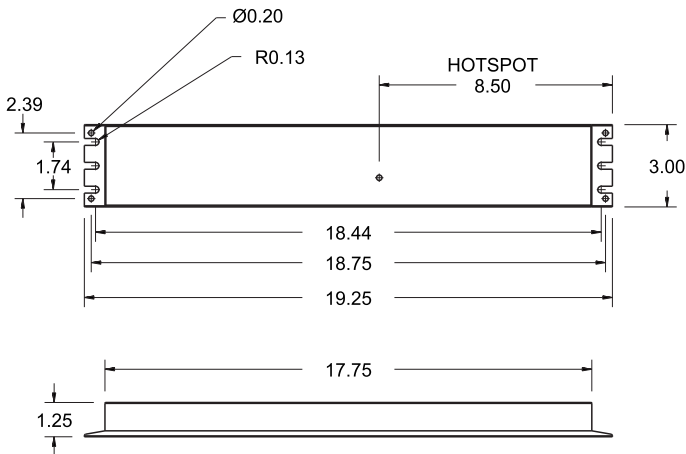
### General Specifications

Input Voltage	230VAC ±10%, 60Hz
EMI / RFI Compliance	FCC Part 18-A
Sound Rating	"A"
Ballast Type	Instant Start
Voltage Transients	ANSI C82.11 - 1993 / C62.41
Thermal Protection	Automatic resetting thermal switch
Min. Operating Temp	0°C (32°F)
Max. Case Temp	70°C (158°F)
Approvals Class	UL / cUL Listed, Class "P", 1 Outdoor
Warranty	3 Years from the date of manufacture when properly installed

### Electrical Data

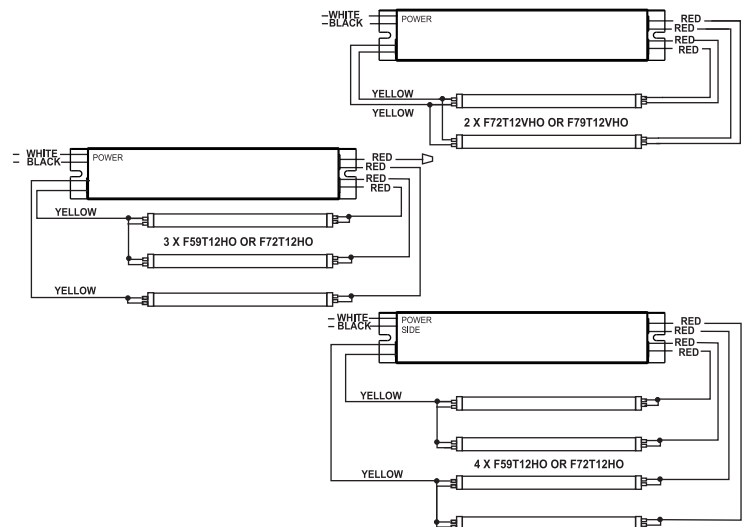
Lamp Wattage / Type	Lamps Operated	Input Wattage	Line Current	Power Factor	Ballast Factor	Efficacy Factor
F59T12HO (85W)	4	273.1	1.299	0.914	0.836	0.305
F72T12HO (100W)	4	311.2	1.467	0.922	0.841	0.270
F59T12HO (85W)	3	229.2	1.104	0.902	0.936	0.408
F72T12HO (100W)	3	260.5	1.242	0.911	0.924	0.355
F72T12HO (160W)	2	2.47.4	1.189	0.904	0.788	0.318
F79T12VHO (200W)	2	301.5	1.425	0.919	0.785	0.260

### Mechanical Data



### Wiring Diagram

Wire Color	Length (Inches)	Wire Color	Length (Inches)
Black	24" ±1"	Red	48" ±1"
White	24" ±1"	Yellow	48" ±1"



Note: This ballast case must be grounded

NOTE : This Ballast Case Must Be Grounded