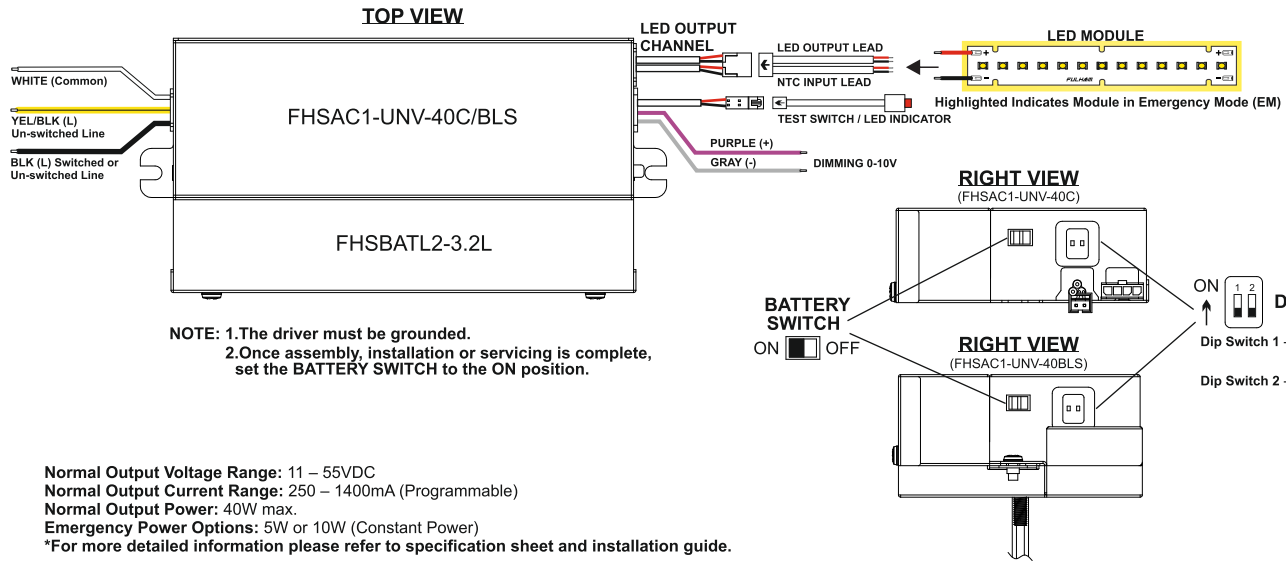
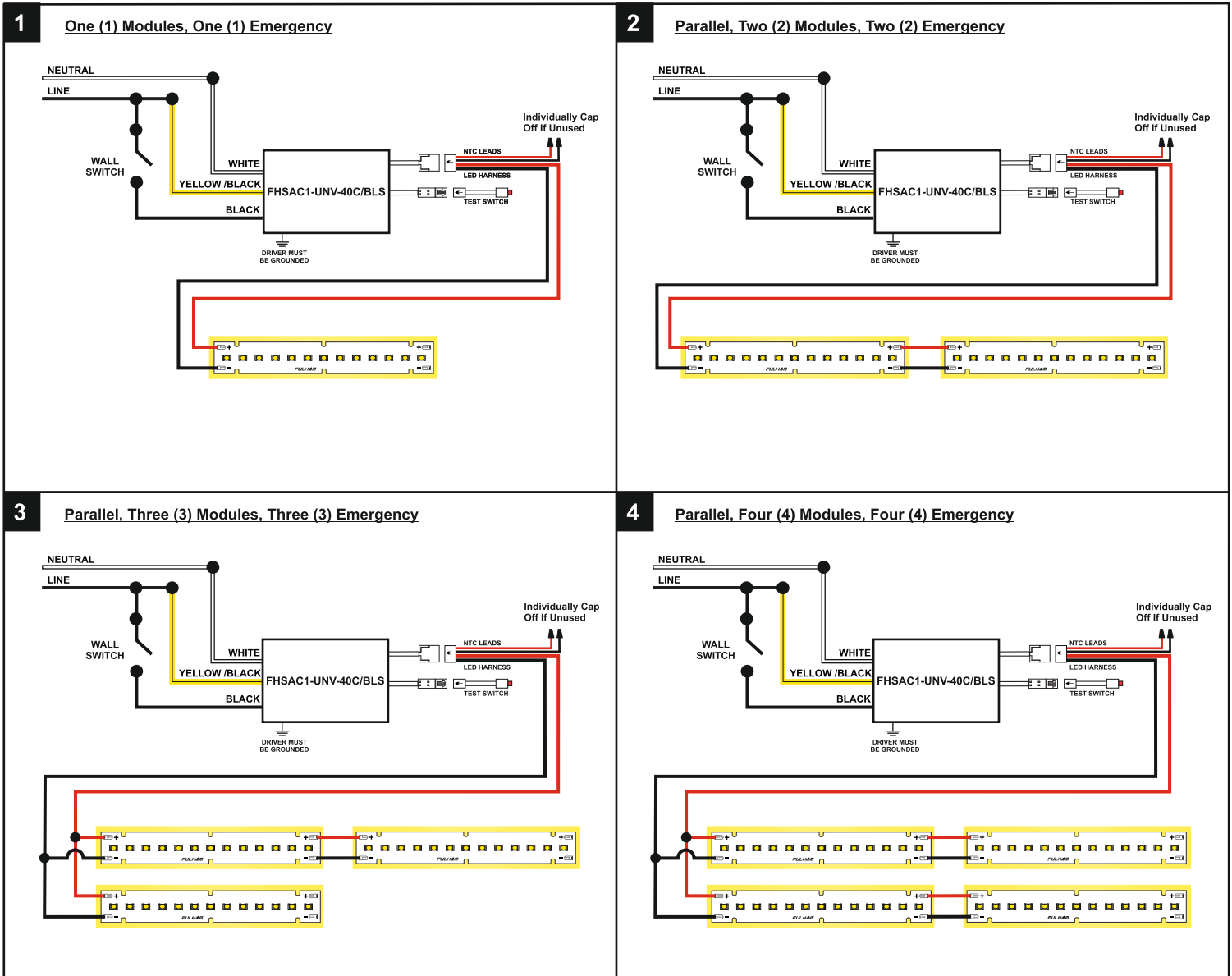




FHSAC1-UNV-40C/BLS WIRING DIAGRAMS



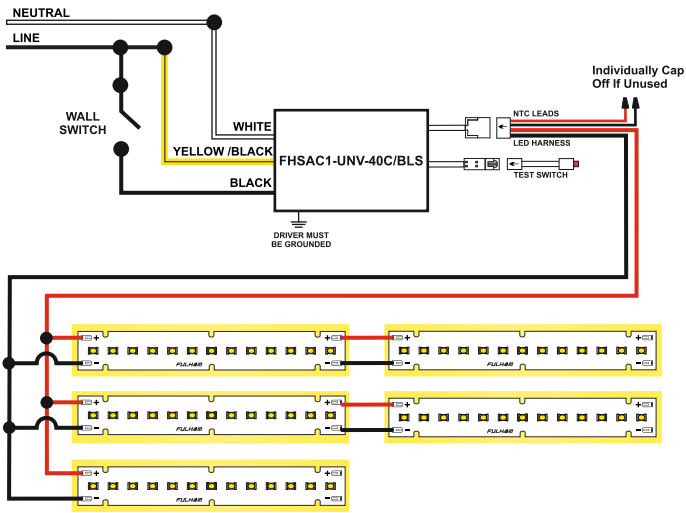
Normal Output Voltage Range: 11 – 55VDC
 Normal Output Current Range: 250 – 1400mA (Programmable)
 Normal Output Power: 40W max.
 Emergency Power Options: 5W or 10W (Constant Power)
 *For more detailed information please refer to specification sheet and installation guide.



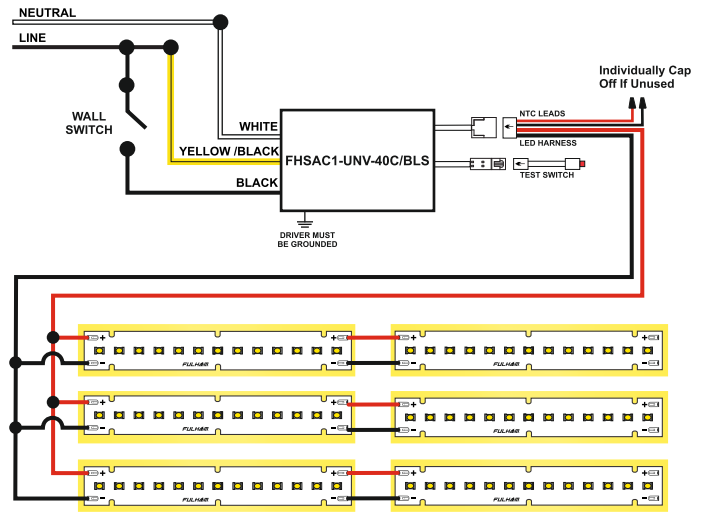


FHSAC1-UNV-40C/BLS WIRING DIAGRAMS

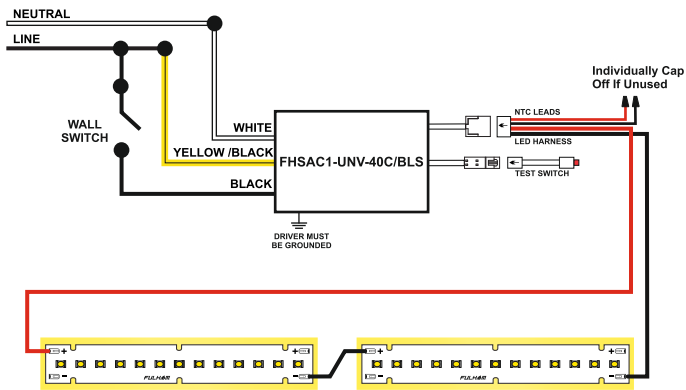
5 Parallel, Five (5) Modules, Five (5) Emergency



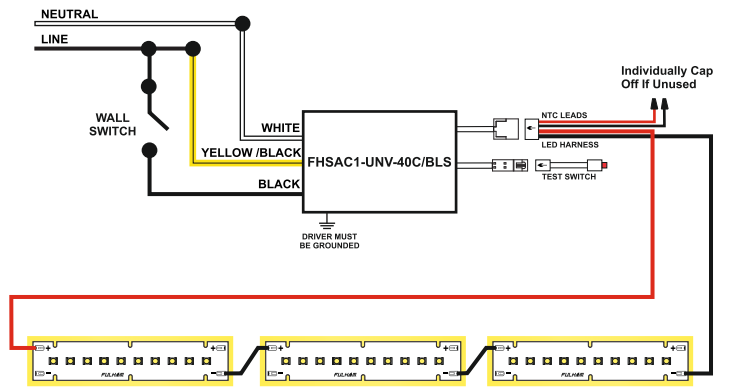
6 Parallel, Six (6) Modules, Six (6) Emergency



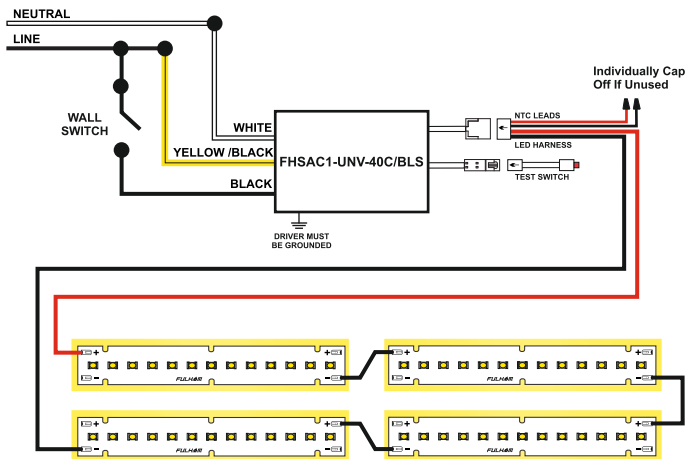
7 Series, Two (2) Modules, Two (2) Emergency



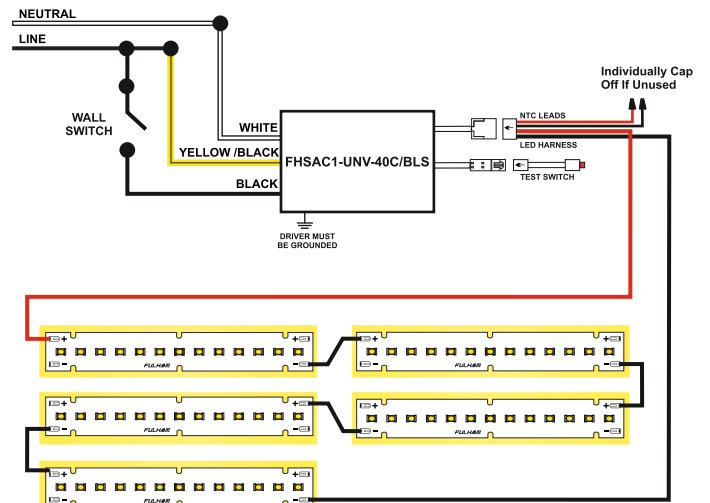
8 Series, Three (3) Modules, Three (3) Emergency



9 Series, Four (4) Modules, Four (4) Emergency



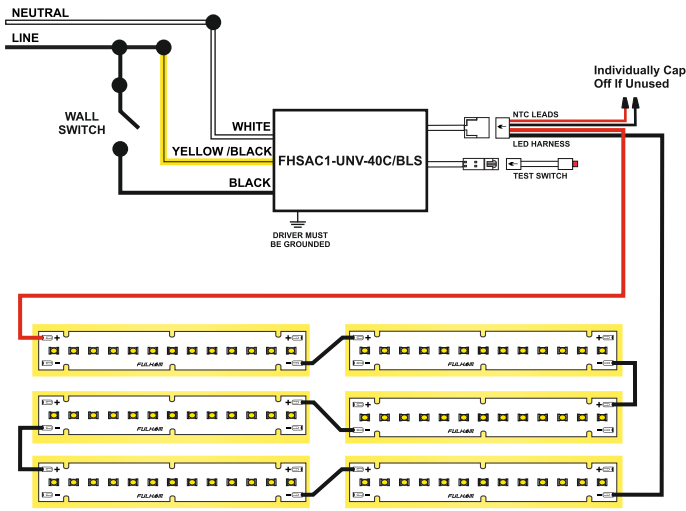
10 Series, Five (5) Modules, Five (5) Emergency



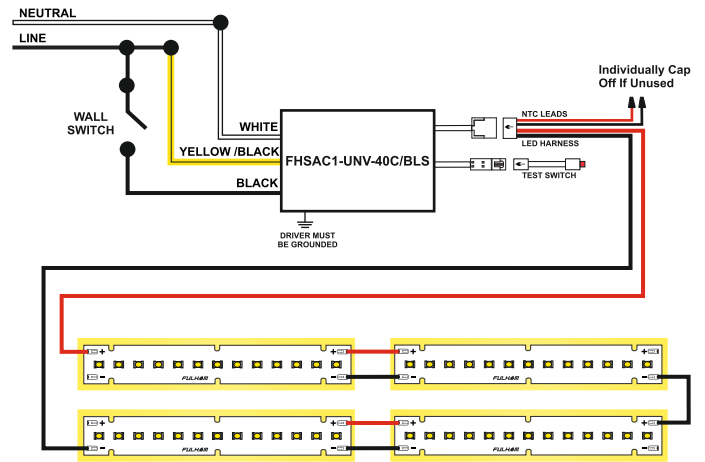


FHSAC1-UNV-40C/BLS WIRING DIAGRAMS

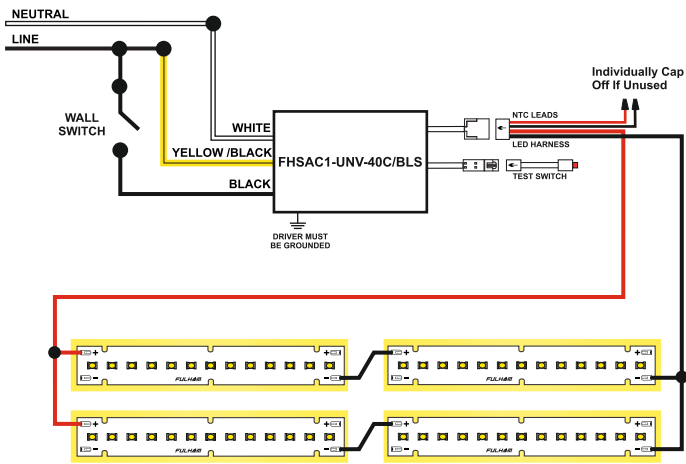
11 Series, Six (6) Modules, Six (6) Emergency



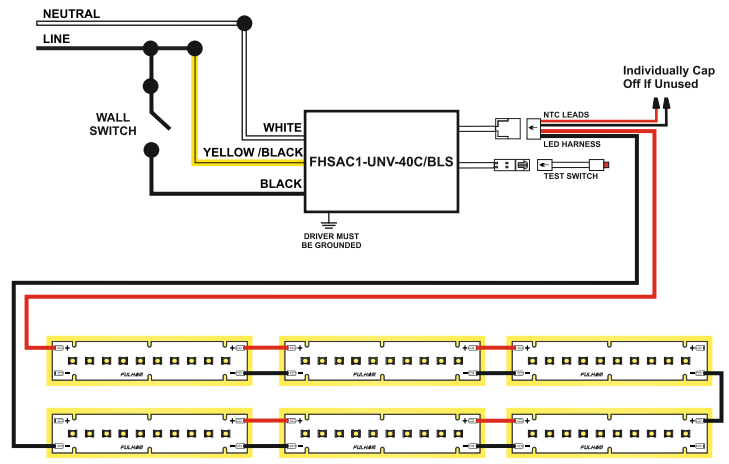
12 Series / Parallel, Four (4) Modules, Four (4) Emergency



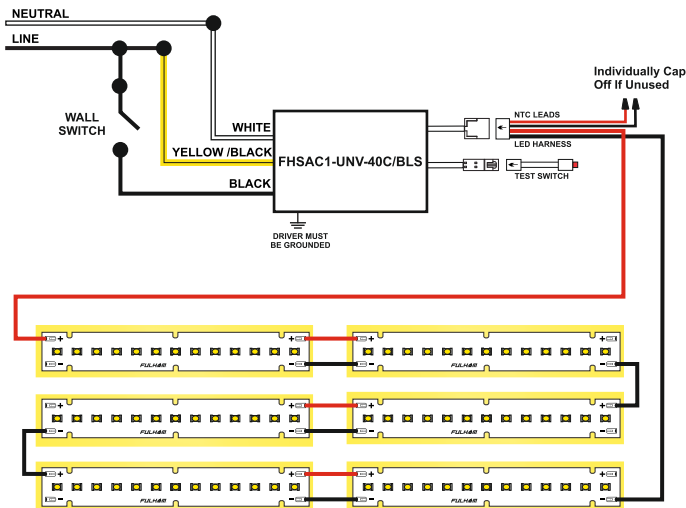
13 Series / Parallel, Four (4) Modules, Four (4) Emergency



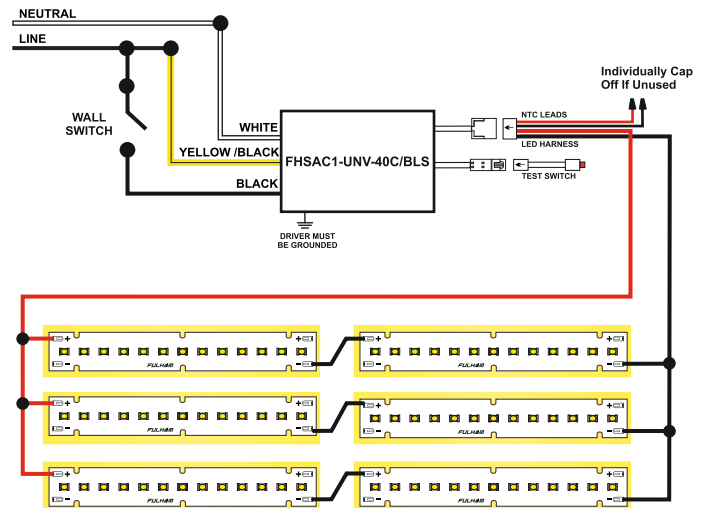
14 Series / Parallel, Six (6) Modules, Six (6) Emergency



15 Series / Parallel, Six (6) Modules, Six (6) Emergency



16 Series / Parallel, Six (6) Modules, Six (6) Emergency





FHSAC1-UNV-40C/BLS

WIRING DIAGRAMS

17

Series / Parallel, Six (6) Modules, Six (6) Emergency

