

# FHS-FLASH

## Telescopic Magnetic LED Flash Light

- Aluminum Flashlight Housing
- 3 High Output LEDs
- Magnetic on Both Ends
- Bendable Extension up to: 22.2" (565mm)
- Batteries Included

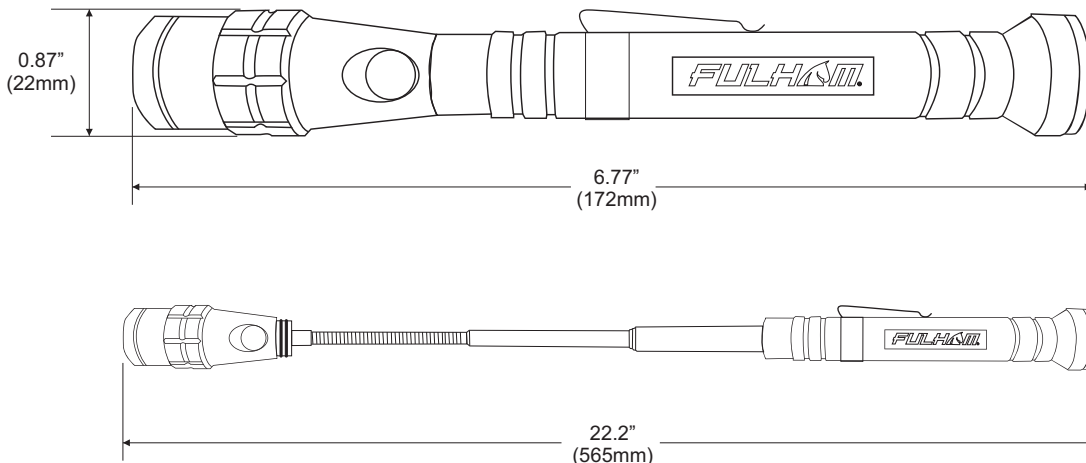
### General Specifications

|               |   |
|---------------|---|
| Lumen Output  | 20 lumens   |
| Total Runtime | 2 Hours   |
| Battery Type  | LR44 Coin Cell x4 (Batteries Included)                            |
| Overall Size  | 6.77" (172mm) L x 0.87" (22mm) D, extendable up to: 22.2" (565mm) |
| Weight        | 0.21lbs (95g)   |
| Warranty      | 1 Year  |

### Product Image



### Mechanical Data



# FHS-FLASH

## Part Number Matrix

# FHS - FLASH

**Product Line**

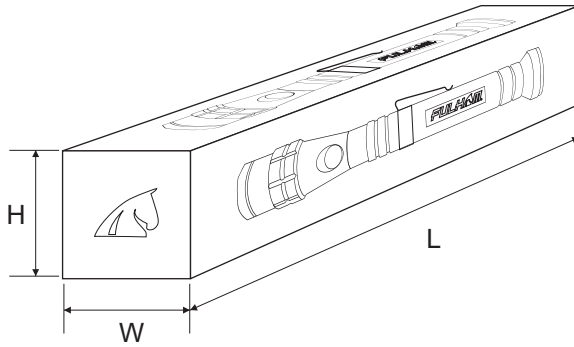
FHS = HotSpot

**Product Type**

FLASH = Flash Light

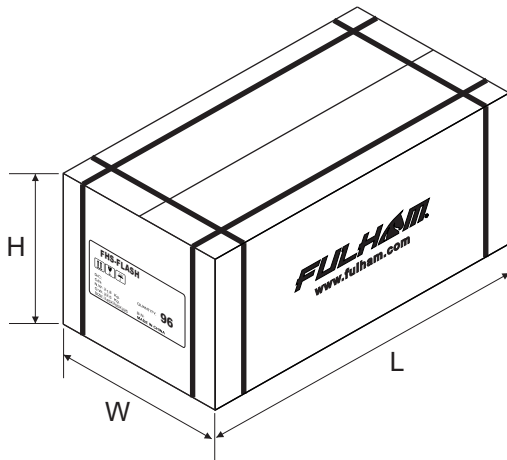
## Packaging Dimensions

### Individual Box



| OUTER DIMENSION |              |              |
|-----------------|--------------|--------------|
| L               | W            | H            |
| 7.29"(185mm)    | 0.985"(25mm) | 0.985"(25mm) |

### Master Carton



| OUTER DIMENSION       |                        |              |
|-----------------------|------------------------|--------------|
| L                     | W                      | H            |
| 13.58"(345mm)         | 7.87"(200mm)           | 8.86"(225mm) |
| Net Weight            | Gross Weight           | QUANTITY     |
| 21.8 lbs.<br>(9.9 kg) | 22.5 lbs.<br>(10.2 kg) | 96pcs.       |