



VMU125050LP8xxA

22" LP-LINEARHO DC MODULE, 1250mA MAX CURRENT

- Low Profile design, no magnets
- Direct mount to luminaire housing
- Superior thermal performance than standard LinearHO
- Higher aluminum material density
- Extruded Aluminum material for thermal management
- High lumen, high efficacy
- Accessories: Diffused lens compatible
- For use in UL Class 2 lighting systems
- Suitable for DLC applications: L70 >60,000hrs / L90=40,000hrs
- Meets UL8750 recognized
- RoHS compliant
- The module is supplied by short circuit proof SELV controlgear

General Specifications

	Min.	Typical	Max.
Input Voltage ^①	32VDC	34.1VDC	38VDC
Input Current ^①	150mA	700mA	1250mA
Input Power ^①	4.8W	23.9W	49W
Initial Lumens @4000K / 80CRI	1050 lumens	4,698 lumens	7,700 lumens
Initial Lm/W @4000K / 80CRI	219 lm/W	197 lm/W	173 lm/W
Beam Angle	120°		
CRI	80CRI (standard), 90CRI available		
Storage Temperature Range	-40°C to 100°C / -40°F to 212°F		
Operating Temperature Range (ta)	-40°C to 55°C / -40°F to 131°F		
Maximum Case Temperature (Tc)	L70: Tc max 105°C (Ts=110°C) / L90: Tc max 105°C (Ts=110°C)		
Estimated Lumen Maintenance ^②	L70: >60,000Hrs / L90: 40,000Hrs		
Color Consistency	Binning per ANSI C78.377-2015 @ 25°C; 3 SDCM		
Overall Size	22" L x 1.26" W x 0.29" H (559mm x 32mm x 7.4mm)		
PCB Material / Thermal Conductivity	MCPCB (Aluminum Clad)/ 1.5W / mK		
Extruded Material / Finish	Aluminum/surface treatment with Anodic Oxidation		
LED Quantity	96pcs.		
Module Weight	141g / 0.31lb		
PCB Part Number	PTL024C01M1		
Maximum Screw Installation Torque	25 inch - ounces		
Connector Type	WAGO #2060-452 / 998-404 (2 pin connector)		
Packaging: Master Carton	40pcs.		
Thermal Feedback	Not Available		
Safety/Compliance	cURus (File # E351548) Suitable for UL Class 2 Lighting Systems RoHS Compliant Dry and Damp Location CE (IEC 62031: 2008. AMD1: 2012, AMD2: 2014) SELV		
Energy Efficiency Label (EEI-Label)	A++		
Warranty	5 years @ Max. Tc from the date of manufacture		

^①Nominal ratings. Performance based on Tc mod = 25°C. See thermal de-rating chart (pg. 3) for higher temperature operation

^②TM-21 Reported Numbers



VMU125050LP8xxA



Electrical and Optical Specifications

LP-LinearHO Module Part Number	Number of LED	Input Current	Nom. Forward Voltage (VDC)	Nom. Rated Power	Max. Fwd. Voltage	Max. Rated Power	Nom. Lum. Flux @4000K/80 CRI	Nom. Efficacy @4000K/80 CRI
VMU125050LP8xxA	96	150mA	32.0V	4.8W	34V	5W	1050 lm	219 lm/W
		175mA	32.0V	5.6W	34V	6W	1203 lm	215 lm/W
		200mA	32.0V	6.4W	34V	7W	1396 lm	218 lm/W
		250mA	32.4V	8.1W	35V	9W	1741 lm	215 lm/W
		300mA	32.7V	9.8W	35V	11W	2082 lm	212 lm/W
		350mA	32.9V	11.5W	35V	12W	2425 lm	211 lm/W
		400mA	33.0V	13.2W	35V	14W	2757 lm	209 lm/W
		450mA	33.1V	14.9W	35V	16W	3067 lm	206 lm/W
		500mA	33.4V	16.7W	35V	18W	3419 lm	205 lm/W
		525mA	33.6V	17.7W	35V	18W	3588 lm	203 lm/W
		550mA	33.6V	18.5W	35V	20W	3744 lm	202 lm/W
		600mA	33.7V	20.2W	35V	22W	4066 lm	201 lm/W
		650mA	33.8V	22.0W	36V	24W	4382 lm	199 lm/W
		700mA	34.1V	23.9W	36V	26W	4698 lm	197 lm/W
		750mA	34.1V	25.6W	36V	28W	4999 lm	195 lm/W
		800mA	34.3V	27.4W	37V	30W	5297 lm	193 lm/W
		850mA	34.5V	29.3W	37V	32W	5594 lm	191 lm/W
		900mA	34.6V	31.1W	38V	34W	5908 lm	190 lm/W
		950mA	34.7V	33.0W	38V	36W	6165 lm	187 lm/W
		1000mA	34.8V	34.8W	38V	38W	6440 lm	185 lm/W
1050mA	35.0V	36.8W	38V	40W	6707 lm	182 lm/W		
1100mA	35.1V	38.6W	38V	42W	6968 lm	181 lm/W		
1150mA	35.2V	40.5W	38V	44W	7221 lm	178 lm/W		
1200mA	35.4V	42.5W	38V	47W	7465 lm	176 lm/W		
1250mA*	35.5V	44.4W	38V	49W	7700 lm	173 lm/W		

Luminous Flux De-Rating: CCT and CRI Multipliers

	2700K	3000K	3500K	4000K	5000K	5700K	6500K
CRI 80(R9> 0)	0.929	0.955	0.968	1.000	1.013	1.006	1.000
CRI 90(R9>50)	0.776	0.801	0.821	0.863	0.869	0.865	0.863

NOTES:

- Performance based on Tc mod = 25°C. See thermal de-rating chart (pg. 3) for higher temperature operation
- Standard lumen output and efficacy is calculated for standard options. Reference CCT & CRI vs Luminous Flux chart for lumen ratio calculation.
- Specifications are subject to change without notice.
- The LED DC Module can be configured with different LED chip quantities, series and parallel design configurations to meet a specific design requirement. Contact Fulham for further assistance.
- * Indicates maximum rated current. Modules may be operated at a current less than or equal to this value, below the Tc rating.
- 70CRI is NOT available.



VMU125050LP8xxA



Thermal Specifications

	LP-LinearHO DC Module
Storage Temperature Range	-40 to +100°C / -40 to +212°F
Operating Ambient Temperature Range (ta)	-40 to 55°C / -40 to 131°F
Maximum Case Temperature (Tc)	L70 = 105°C (221°F) / L90 = 105°C (221°F)

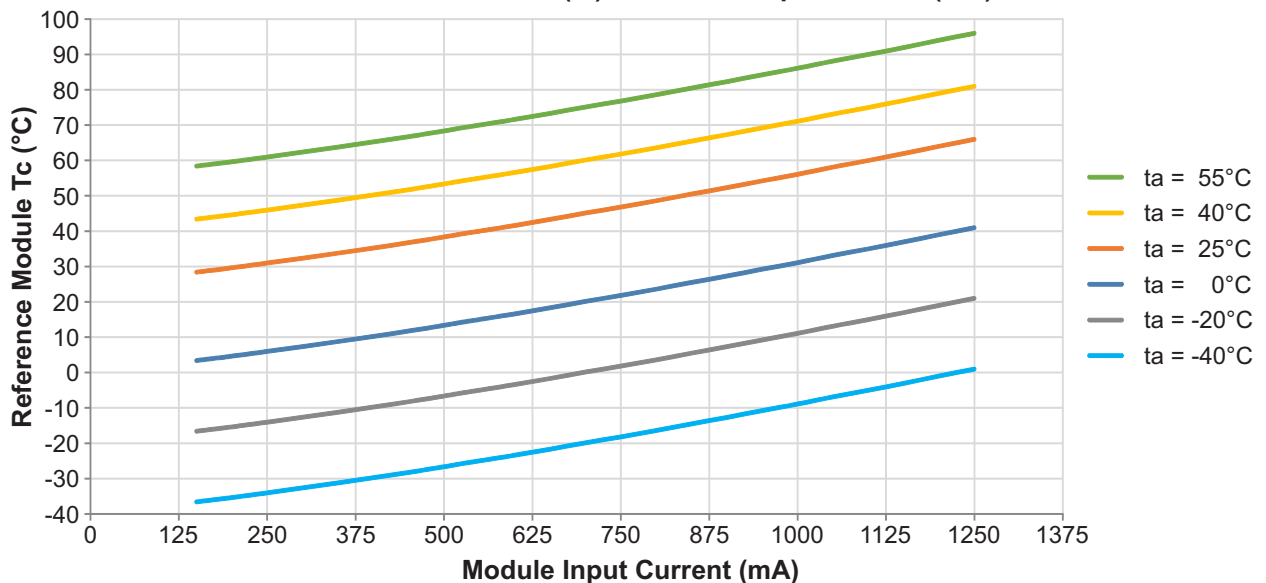


Thermal De-Rating

Tc vs. Luminous Flux vs. Forward Voltage

Module Case Temperature (Tc)	Total Vf Multiplier	Luminous Flux Multiplier
25°C	1.000	1.000
30°C	0.998	0.991
35°C	0.997	0.983
40°C	0.995	0.974
45°C	0.993	0.966
50°C	0.991	0.957
55°C	0.990	0.949
60°C	0.988	0.940
65°C	0.986	0.932
70°C	0.985	0.923
75°C	0.983	0.915
80°C	0.981	0.906
85°C	0.980	0.898
90°C	0.978	0.890
95°C	0.976	0.881
100°C	0.974	0.873
105°C	0.973	0.864

Module Tc vs. Ambient (ta) vs. Module Input Current (mA)



NOTES:

1) Chart "Module Tc vs. Ambient (ta) vs. Module Input Current (mA)" for reference only in an open ambient. The performance with in a luminaire will vary depending on the size and material of luminaire.



VMU125050LP8xxA



Certification Chart

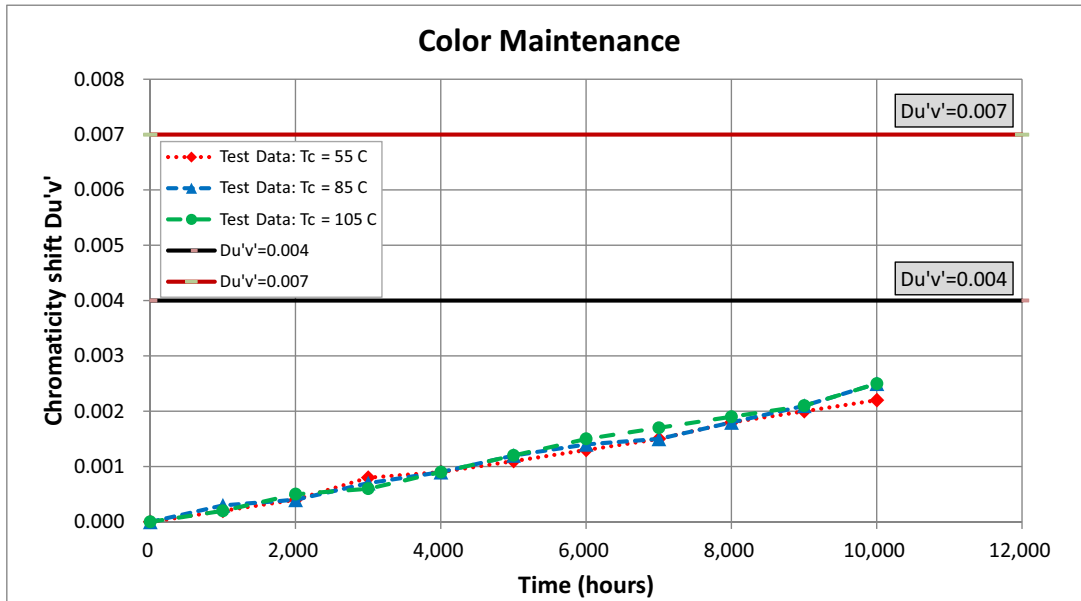
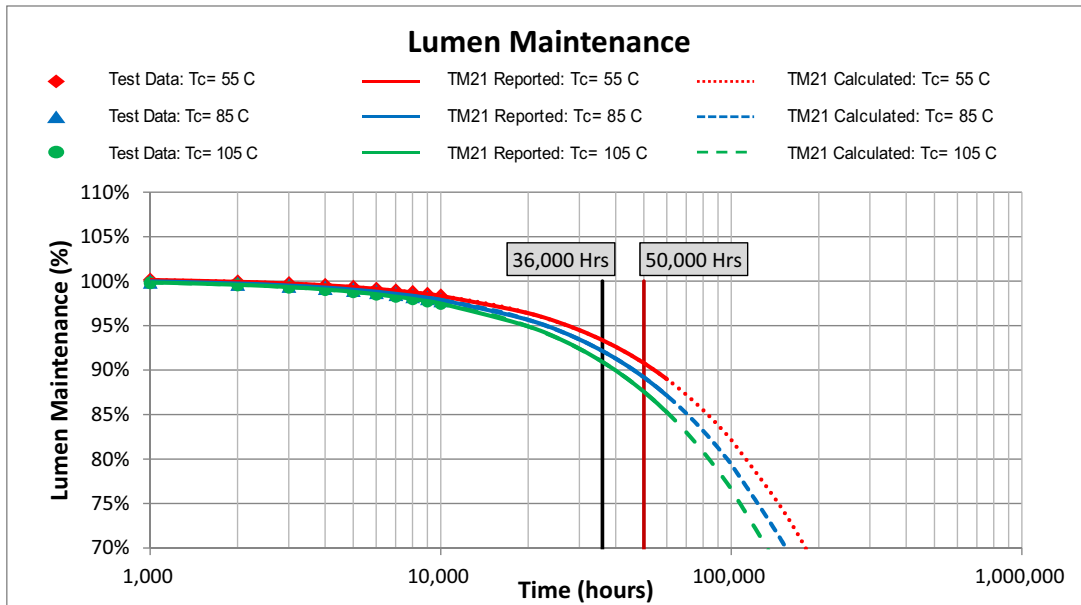
Classification	Model	VMU125050LP8xxA
		YES
		YES
		YES
Energy Efficiency Label (EEI-Label)		A++
Suitable for UL Class 2 Lighting System		YES

Energy Star™ TM-21 Calculator Data

Tc Module	Reported L70	Reported L90
55°C	>60,000 Hrs	54,000 Hrs
85°C	>60,000 Hrs	46,000 Hrs
105°C	>60,000 Hrs	40,000 Hrs

Tc Module	Calculated L70	Calculated L90
55°C	180,000 Hrs	54,000 Hrs
85°C	154,000 Hrs	46,000 Hrs
105°C	133,000 Hrs	40,000 Hrs

LED Lumen & Color Maintenance Data per LM-80 report and TM-21 Calculator





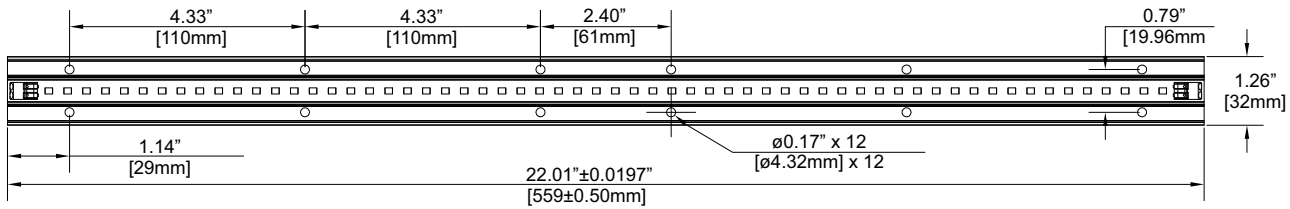
VMU125050LP8xxA

Mechanical Drawings

(Scale 1:5)

22"
[559mm]

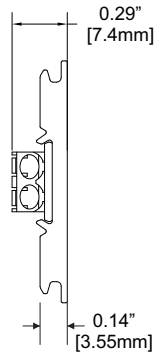
Overall Dimensions	
Length	22" [559mm]
Width	1.26" [32mm]
Height	0.29" [7.4mm]



TOP VIEW



BOTTOM VIEW



SIDE VIEW

Unmarked General Tolerance
 <4" [100mm]: ±0.0138" [±0.35mm]
 4"~11.8" [100~300mm]: ±0.0197" [±0.5mm]
 >11.8" [300mm]: ±0.0236" [±0.6mm]
 HOLES: ±0.002" [±0.05mm]

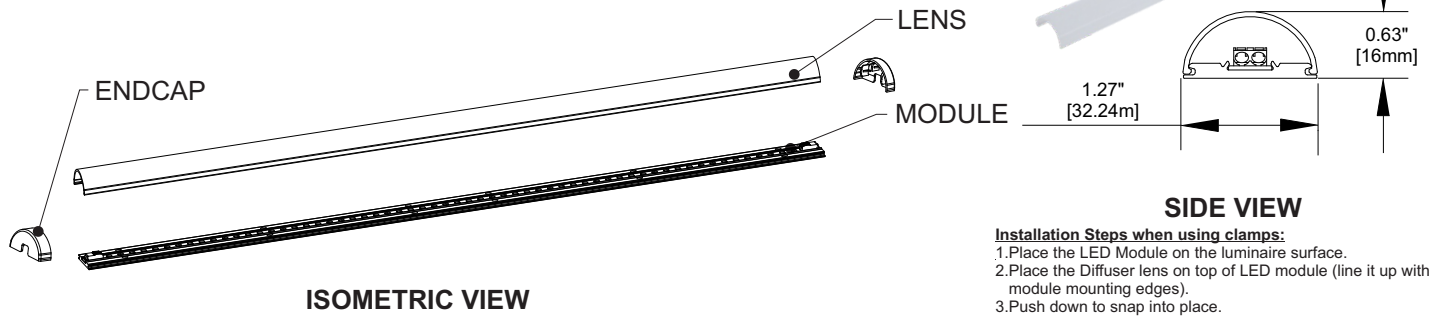
VMU125050LP8xxA

Accessories

Diffuser Lens

Fulham Part Number: **TLE-OPT-120-004 (22" Diffuser Lens - 120° Beam Angle)**

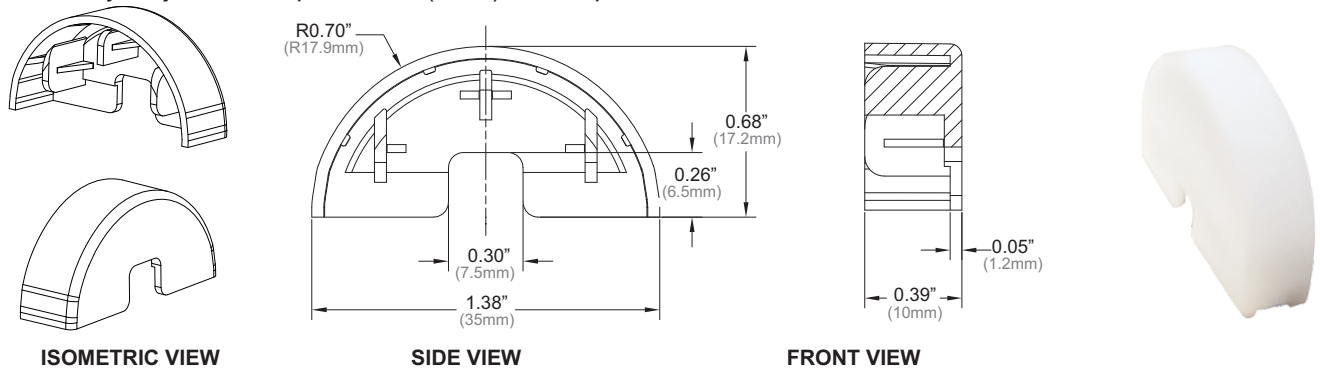
- White polycarbonate diffuser lens - 82% transmissivity at nominally rated currents.



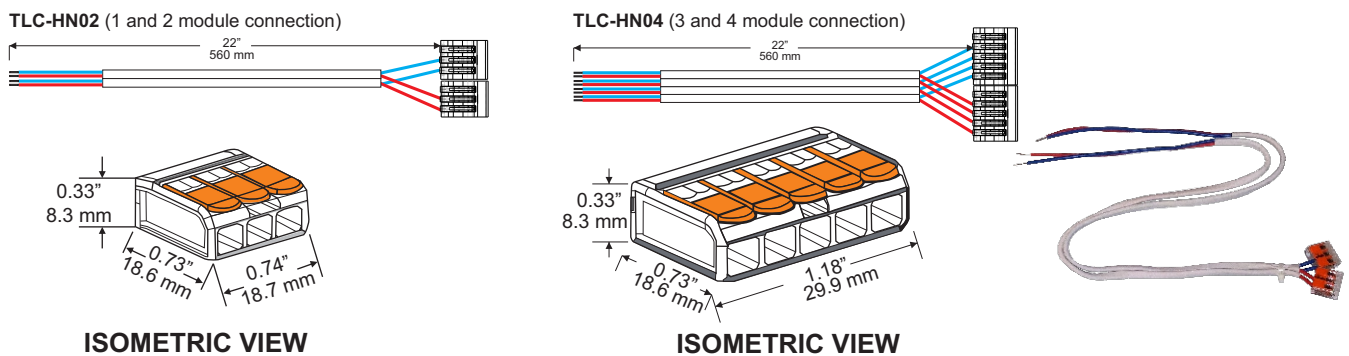
Endcap

Fulham Part Number: **VLE-OPT-120-012**

- White Polybutylene Terephthalate (PBT) end caps



Harness

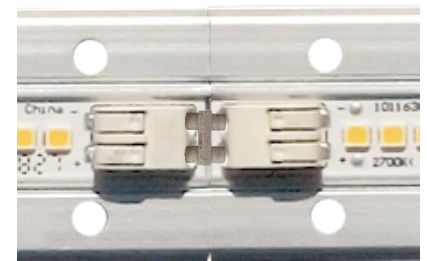


Interconnects

- Interconnect Type: WAGO Double pins to interconnect Modules (#2060-952/028-000)
- Approvals: cURus, UL 1977, and RoHS Compliant

NOTES:

- 1) Interconnects are NOT sold by Fulham.
- 2) Do not connect LinearHO Modules in parallel (end to end) if the current exceeds the maximum module rated current. This type of wiring would cause the pass-through current on the first module to exceed the rated current. This setup is in reference to wiring diagram #2 per Fulham's wiring diagram (see link on page #8). If the current is higher than the rated max, it is recommended to use wiring diagram #3.



Top View

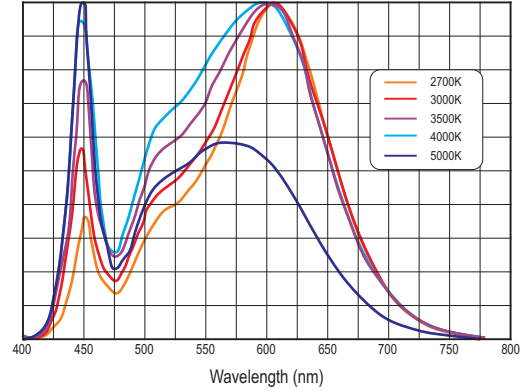
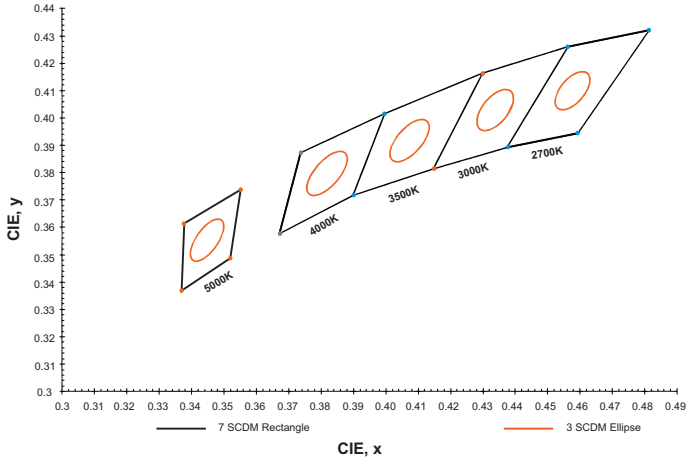


VMU125050LP8xxA



Color and Binning

Optical Spectrum



Compatible Fulham Drivers

(Please use the links below for a complete list of compatible Fulham drivers and wiring diagrams)

- LP-LinearHO System Combination:
- Fulham's Wiring Diagrams: <https://cdn.fulham.com/PDFs/SpecSheets/DC-Modules-Wiring-Diagrams.pdf>
- Compatible with Fulham Hotspot EM Systems.

NOTES:

- 1) The Color and Binning and Optical Spectrum charts are for reference only. For more detailed info, contact factory.
- 2) Reference Samsung Chromaticity Diagram for Color and Binning. Binning per ANSI C78.377-2015 @ 25°C; 3 SDCM.
- 3) The Optical Spectrum values vary depending on product type and color rank.
- 4) Driver not included.
- 5) Do not connect LinearHO Modules in parallel (end to end) if the current exceeds the maximum module rated current. This type of wiring would cause the pass-through current on the first module to exceed the rated current. This setup is in reference to wiring diagram #2 per Fulham's wiring diagram (see the link above). If the current is higher than the rated max, it is recommended to use wiring diagram #3.

Guidelines

Termination Notes

- Connector Type: WAGO #2060-452 / 998-404 (2 pin push wire connector)
 - AWG: 24...18 solid wire
 - Strip length: 7...9mm / 0.28...0.35in
 - Connector Max amp. rating: 9 Amps.

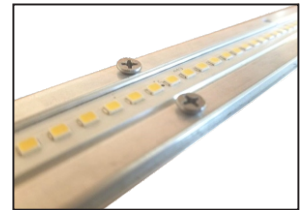


Connector

For more detail information, please visit Wago's website: <http://www.wago.com/infomaterial/pdf/51300133.pdf>

Fastening Notes

- If fastening by screw hole a recommended screw size: 6-20 x 5/8" flat head drilling screws. Use all available screw holes to ensure good contact between back side of module and mounting surface. Refer to max specified torque for installation.
- If fastening using double-sided tape, start with clean, oil-free and dust-free surface. Peel backing and place LED module on mounting surface. Firmly press down on the module to ensure good adherence. Follow the double-side tape manufacturer's installation instructions.
- BJB P2F (Push-to-Fix) fixing elements for PCBs can be used to fasten LED modules to mounting surface. Reference BJB's website for ordering information and specific model to use: <http://www.bjb.com/index.php?pid=376706&lid=10>.
- HEYCO HEYClip Snap Rivets 9035 is recommended for fast and easy installation with clean and finish look. For more detail information, please visit Heyco website: https://www.heyco.com/Nylon_PVC_Hardware/product.cfm?product=Snap-Rivets



Heyco Rivet 9035

Environmental Rating / Conformal Coating

- The DC LP-LinearHO Modules have been evaluated for use in dry or damp locations only. If used in wet locations, acceptability and the need for additional evaluation shall be determined in the end product.
- Fulham's LP-LinearHO modules are available with conformal coating; made to order with MOQ and lead time will apply. The conformal coating is a silicone based material which is double sprayed on the module only (LEDs and PCB). Conformal coating is recommended for the following applications: near ocean where salt is present, constant moisture, refrigeration, continuously high humidity, or outdoor applications. An IP rating of IP64 or IP65 is achieved when the conformal coating is used, but other factors should be considered. Fulham still recommends the luminaire also meet an IP64/65 rating.

Electrostatic Sensitive Product (ESD)

- Fulham LED products should be handled with proper measures to protect against any potential ESD damage.
- When servicing, personnel should be ground and direct contact with LED should be avoided.

Thermal Management

- Proper thermal management should be employed to ensure life and reliability of product. Max Tc of module should not be exceeded.
- Use of thermal grease, paste, pad, or other material interface is highly recommended.

Polarity Notes

- DC LP-Modules are polarity sensitive.
- Ensure that "positive" from LED Driver is connected to "positive" of LED modules and that "negative" from LED Driver is connected to "negative" of LED modules.
- Polarities of modules are marked with "+" for positive and "-" for negative.



VMU125050LP8xxA



Part Number Matrix

V M U 125 050 LP 8 XX A

Product Line	Type	Control Type	Input Current	Max. Power	Design	CRI	Color Temperature	Option
V = Vizion	M = Module (UL Class 2)	U = None	125 = 1250mA Max.	050 = 50W	LP=Low Profile	Ⓢ 8 = 80 9 = 90	27 = 2700K Ⓢ 30 = 3000K Ⓢ 35 = 3500K Ⓢ 40 = 4000K Ⓢ 50 = 5000K 57 = 5700K 65 = 6500K	A = Standard Ⓢ D = Conformal Coating (MTO)

- Ⓢ Standard Product offering (All other options are made to order with MOQ and lead time)
- Ⓢ See page #8 for Conformal Coating information. Made to order (MTO).

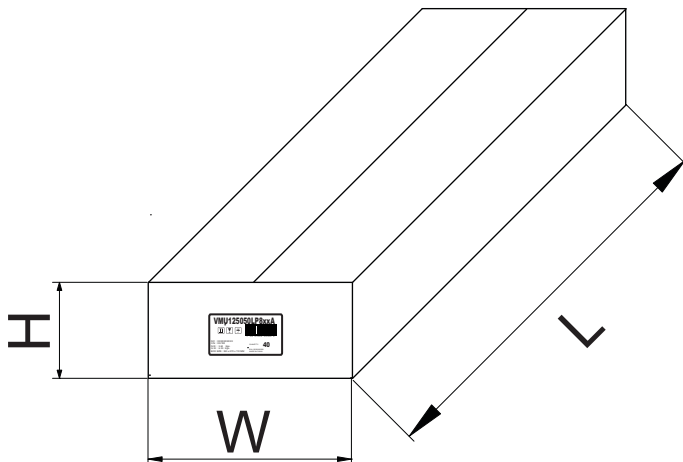
Product Image: LP-LinearHO Module



TOP VIEW

Packaging

Master Carton



OUTER DIMENSION		
L	W	H
23.43"(595mm)	10.63"(270mm)	4.33"(110mm)
Net Weight	Gross Weight	QUANTITY
12.4 lbs. (5.62kg)	14.09 lbs. (6.39kg)	40pc.