



VPR-14-MU-25-9TW-A
 VPR-22-MU-25-9TW-A, VPR-24-MU-36-9TW-A



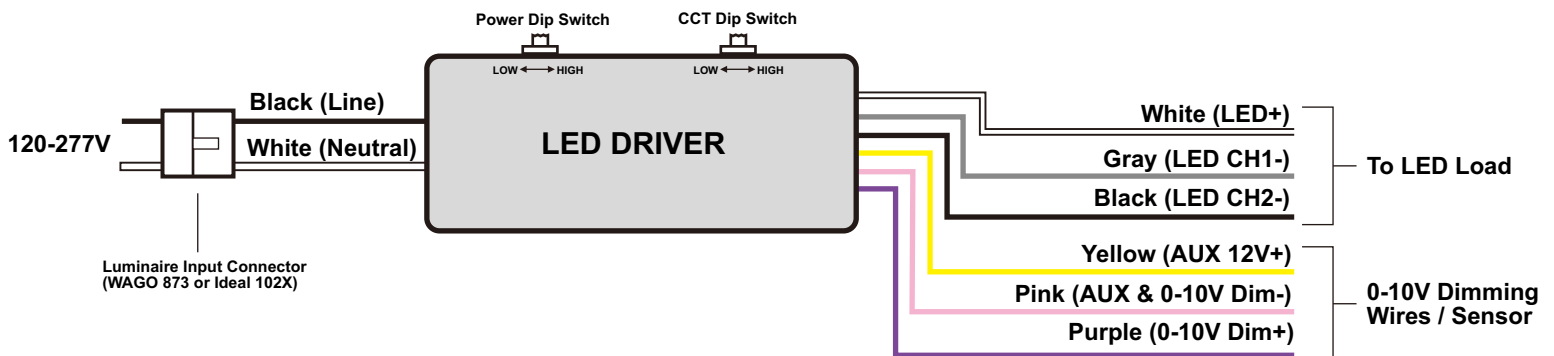
LED PANEL RETROFIT LUMINAIRE

- Suitable for 1'x4', 2'x2' and 2'x4' luminaires
- Universal Voltage with 0-10V dimming
- Meets CEC Title 24 JA10
- 3 selectable power levels per Model
- LED Panel retrofit kits completely assembled within frame
- DLC 5.1 Premium Listed
- CCT Selectable: 3500K / 4000K / 5000K; 3500K(Default)
- UL1598C, suitable for dry or damp locations
- 12VDC AUX output

General Specifications

| | VPR-14-MU-25-9TW-A | VPR-22-MU-25-9TW-A | VPR-24-MU-36-9TW-A |
|--|---|--|--|
| Input Voltage | 120~277VAC (+/- 10%) | | |
| Operating Frequency | 50 / 60Hz | | |
| Input Current | 0.15A - 0.21A @120VAC 0.06A - 0.09A @277VAC | 0.15A - 0.21A @120VAC 0.06A - 0.09A @277VAC | 0.19A - 0.30A @120VAC 0.08A - 0.13A @277VAC |
| Initial Lumen Output | Please see Page 2. | | |
| Input Power (Selectable) | 18W, 22W, 25W(Default) | 18W, 22W, 25W(Default) | 23W, 30W, 36W(Default) |
| Efficacy | 125 lm/W | | |
| Input PF | >0.9 | | |
| THD | <20% | | |
| Beam Angle | 120° | | |
| Color Rendering Index | 90 CRI Standard | | |
| Operating Ambient Temperature Range (Ta) | -20°C to 50°C (-4°F to 122°F) | | |
| Estimated Lumen Maintenance | L70>60,000hrs; L90>36,000hrs | | |
| Dimming Type | 0-10V Dimming | | |
| Dimming Range | 100%-10%, Dim to Off | | |
| Auxiliary Output | 12VDC / 100mA | | |
| Flicker Percentage | <10% | | |
| Overall Size | 1216mm(47.9") x 302mm(11.9") | 606mm(23.8") x 606mm(23.8") | 1216mm(47.9") x 606mm(23.8") |
| Driver Part Number | T1M1UNV054S-30L-A | T1M1UNV065S-30L-A | T1M1UNV095S-40L-A |
| Safety/Compliance | DLC 5.1 Premium Listed UL 1598C: Dry or Damp Location CEC Title 24 JA10 | | |
| Warranty | 5 years @ Max. Ta 50°C (122°F) from the date of manufacture. | | |

General Wiring Diagram





VPR-14-MU-25-9TW-A
 VPR-22-MU-25-9TW-A, VPR-24-MU-36-9TW-A



Part Number Matrix

V PR - 22 - M U - 25 - 9 TW - A

Product Line **V** = VividHorse Type **PR** = Panel Retrofit Dimension **14** = 1' x 4'
22 = 2' x 2' **24** = 2' x 4' Dimming **M** = 0-10V Input Voltage **U** = Universal (120 - 277VAC) Max. Power **25** = 25W (1x4 & 2x2) **36** = 36W (2x4) CRI **9** = 90 Color Temperature **TW** = Tunable White (3500K/4000K/5000K) Option

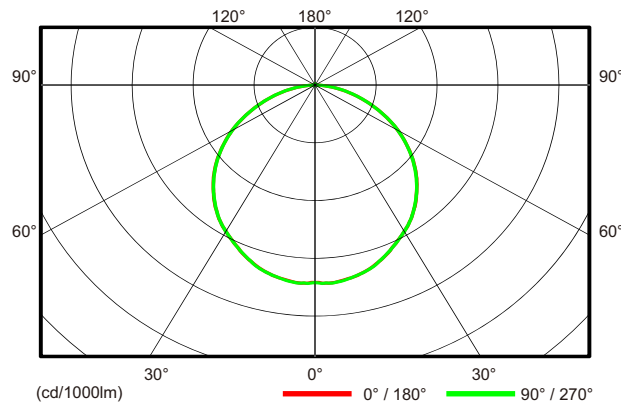
Electrical and Optical Specifications

Model

VPR-14-MU-25-9TW-A (1'x4')
VPR-22-MU-25-9TW-A (2'x2')

| Rated Power | CRI / CCT | Rated Lumen | Rated Efficacy |
|-------------|-----------|-------------|----------------|
| 25W | 90/ 3500K | 3125 lm | 125 lm/W |
| | 90/4000K | 3150 lm | 126 lm/W |
| | 90/ 5000K | 3175lm | 127 lm/W |
| 22W | 90/ 3500K | 2816 lm | 128 lm/W |
| | 90/4000K | 2838 lm | 129 lm/W |
| | 90/ 5000K | 2860 lm | 130 lm/W |
| 18W | 90/ 3500K | 2358 lm | 131 lm/W |
| | 90/4000K | 2376 lm | 132 lm/W |
| | 90/ 5000K | 2394 lm | 133 lm/W |

| Zone | Zone Flux | Zone Flux% | Sum Zone Flux | Sum Zone Flux% |
|----------|-----------|------------|---------------|----------------|
| 0 ~ 10 | 106.0 | 3.3% | 106.0 | 3.3% |
| 10 ~ 20 | 302.8 | 9.3% | 408.7 | 12.6% |
| 20 ~ 30 | 457.7 | 14.1% | 866.4 | 26.7% |
| 30 ~ 40 | 558.8 | 17.2% | 1425.3 | 44.0% |
| 40 ~ 50 | 585.2 | 18.1% | 2010.4 | 62.0% |
| 50 ~ 60 | 530.7 | 16.4% | 2541.2 | 78.4% |
| 60 ~ 70 | 400.5 | 12.4% | 2941.7 | 90.8% |
| 70 ~ 80 | 227.2 | 7.0% | 3168.9 | 97.8% |
| 80 ~ 90 | 62.1 | 1.9% | 3231.0 | 99.7% |
| 90 ~ 180 | 9.4 | 0.3% | 3240.4 | 100.0% |

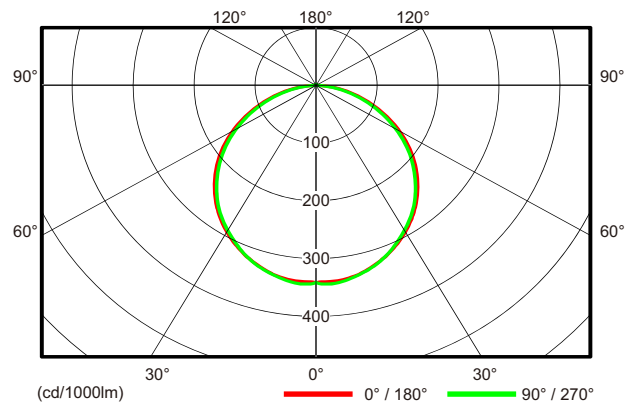


Model

VPR-24-MU-36-9TW-A (2'x4')

| Rated Power | CRI / CCT | Rated Lumen | Rated Efficacy |
|-------------|-----------|-------------|----------------|
| 36W | 90/ 3500K | 4500 lm | 125 lm/W |
| | 90/4000K | 4536 lm | 126 lm/W |
| | 90/ 5000K | 4572 lm | 127 lm/W |
| 30W | 90/ 3500K | 3840 lm | 128 lm/W |
| | 90/4000K | 3870 lm | 129 lm/W |
| | 90/ 5000K | 3900 lm | 130 lm/W |
| 23W | 90/ 3500K | 3013 lm | 131 lm/W |
| | 90/4000K | 3036 lm | 132 lm/W |
| | 90/ 5000K | 3059 lm | 133 lm/W |

| Zone | Zone Flux | Zone Flux% | Sum Zone Flux | Sum Zone Flux% |
|----------|-----------|------------|---------------|----------------|
| 0 ~ 10 | 151.0 | 3.3% | 151.0 | 3.3% |
| 10 ~ 20 | 431.4 | 9.3% | 582.3 | 12.6% |
| 20 ~ 30 | 654.1 | 14.1% | 1236.4 | 26.7% |
| 30 ~ 40 | 794.7 | 17.2% | 2031.1 | 43.9% |
| 40 ~ 50 | 829.7 | 17.9% | 2860.8 | 61.8% |
| 50 ~ 60 | 753.8 | 16.3% | 3614.6 | 78.0% |
| 60 ~ 70 | 573.6 | 12.4% | 4188.2 | 90.4% |
| 70 ~ 80 | 333.6 | 7.2% | 4521.8 | 97.6% |
| 80 ~ 90 | 97.2 | 2.1% | 4619.0 | 99.7% |
| 90 ~ 180 | 12.9 | 0.3% | 4631.9 | 100.0% |





VPR-14-MU-25-9TW-A
 VPR-22-MU-25-9TW-A, VPR-24-MU-36-9TW-A



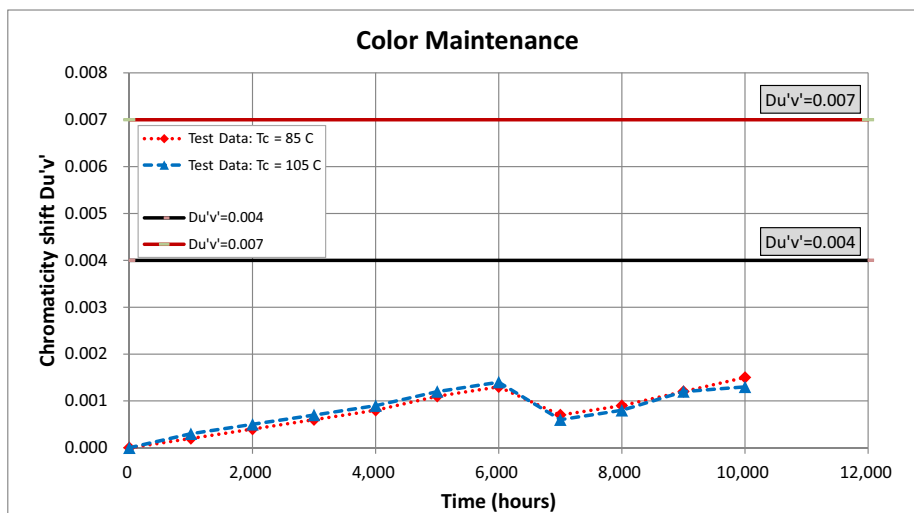
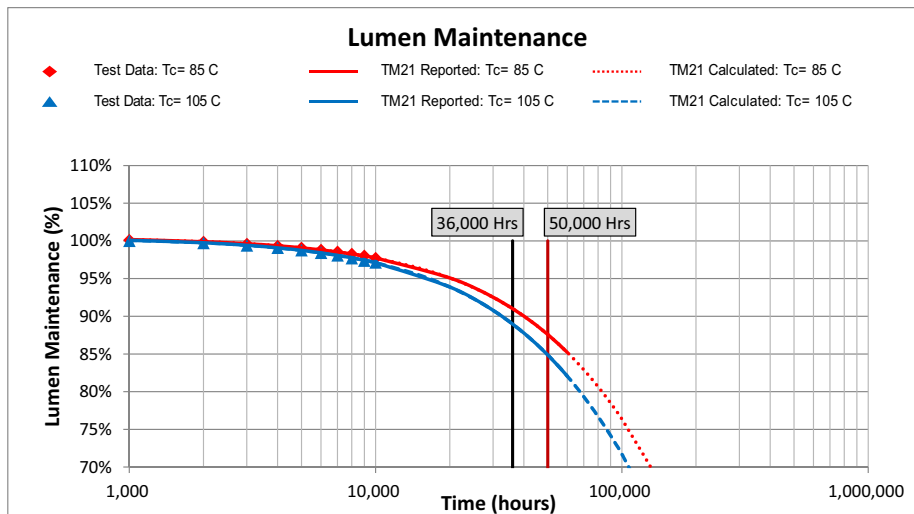
Certification Chart

| Model | VPR-14-MU-25-9TW-A VPR-22-MU-25-9TW-A VPR-24-MU-36-9TW-A |
|----------------|--|
| Classification | YES (T1M1UNVxxxS-xxL-A Driver Only) |
| | YES |
| | YES |
| | YES |

Energy Star™ TM-21 Calculator Data

| Tc Module | Reported L70 | Reported L90 |
|-----------|----------------|----------------|
| 85°C | >60,000 Hrs | 40,000 Hrs |
| 96°C | >60,000 Hrs | 36,000 Hrs |
| 105°C | >60,000 Hrs | 33,000 Hrs |
| Tc Module | Calculated L70 | Calculated L90 |
| 85°C | 131,000 Hrs | 40,000 Hrs |
| 96°C | 117,000 Hrs | 36,000 Hrs |
| 105°C | 106,000 Hrs | 33,000 Hrs |

LED Lumen & Color Maintenance Data per LM-80 report and TM-21 Calculator

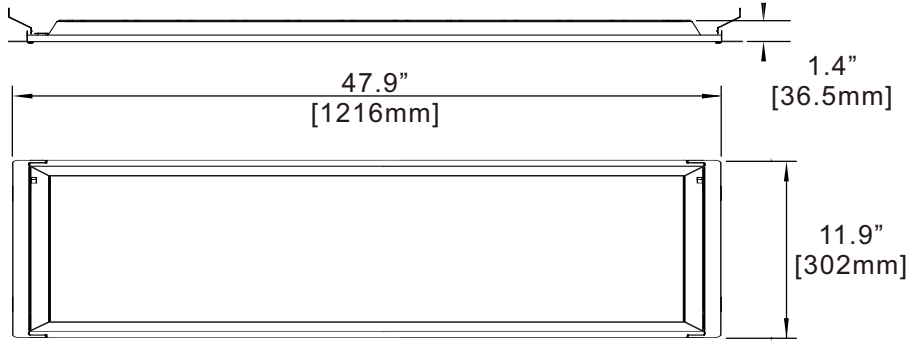




VPR-14-MU-25-9TW-A
 VPR-22-MU-25-9TW-A, VPR-24-MU-36-9TW-A

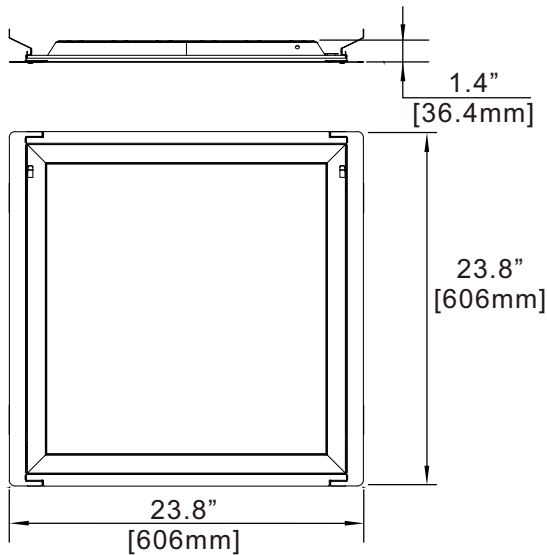
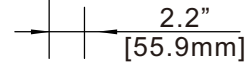


Mechanical Drawings



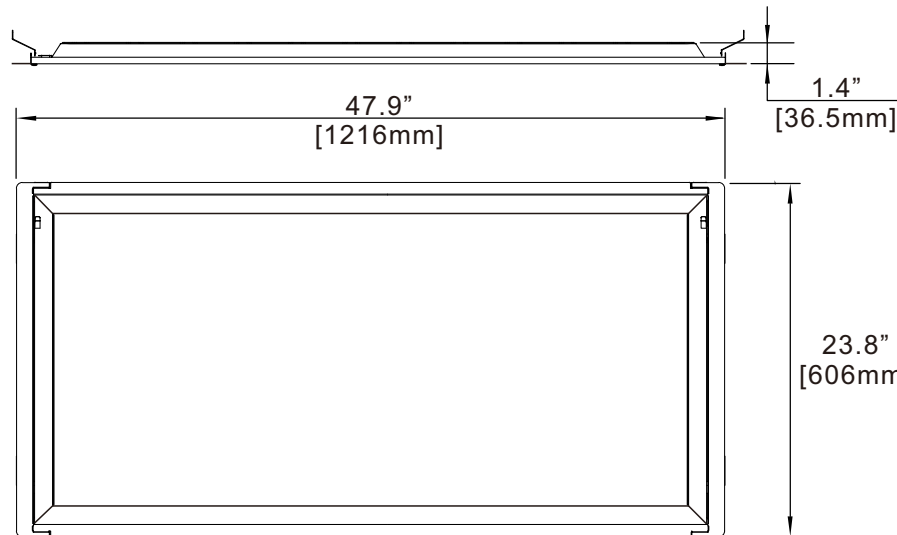
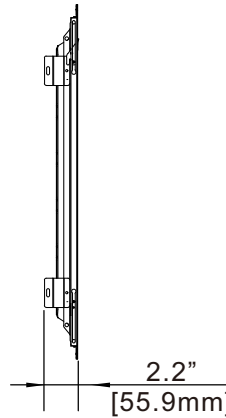
VPR-14-MU-36-9TW-A

| Overall Dimensions | |
|--------------------|-------------------|
| Length | 47.9" [1216mm] |
| Width | 11.9" [302mm] |
| Height | 2.2" [55.9mm] |



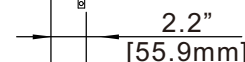
VPR-22-MU-25-9TW-A

| Overall Dimensions | |
|--------------------|------------------|
| Length | 23.8" [606mm] |
| Width | 23.8" [606mm] |
| Height | 2.2" [55.9mm] |



VPR-24-MU-36-9TW-A

| Overall Dimensions | |
|--------------------|-------------------|
| Length | 47.9" [1216mm] |
| Width | 23.8" [606mm] |
| Height | 2.2" [55.9mm] |





VPR-14-MU-25-9TW-A VPR-22-MU-25-9TW-A, VPR-24-MU-36-9TW-A



Accessories (Sold Separately)

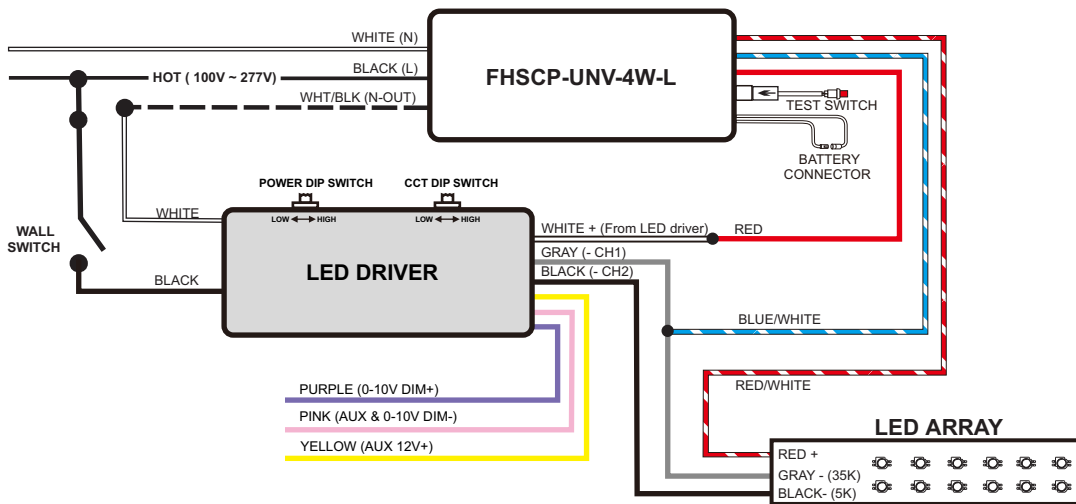
Emergency Battery Back-up Kit:

Part Number: **VPREMKIT** for 2'x2' and 2'x4';
VPREMKIT-14 for 1'x4'

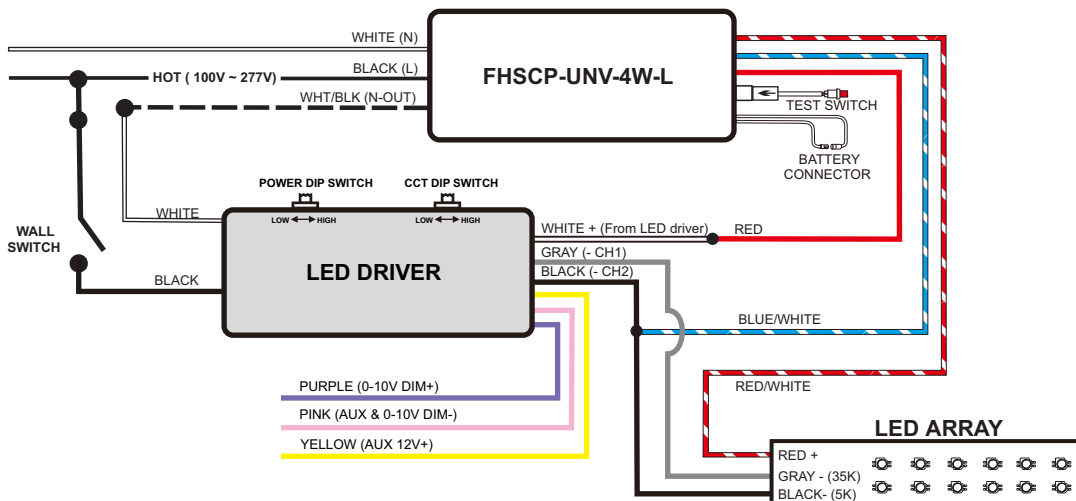
- 4W Constant Power Emergency Back-up
- 500lm
- 90 min.Runtime.
- Includes: Bracket, EM Driver, and Wall Plate



Wiring Diagram 1: 3500K Emergency Output



Wiring Diagram 2: 5000K Emergency Output





VPR-14-MU-25-9TW-A
 VPR-22-MU-25-9TW-A, VPR-24-MU-36-9TW-A



Product Image

VPR-22-MU-25-9TW-A



VPR-14-MU-36-9TW-A

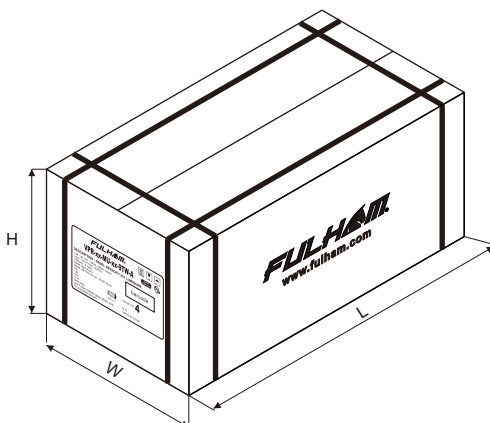


VPR-24-MU-36-9TW-A



Packaging

Master Carton



VPR-14-MU-25-9TW-A

| OUTER DIMENSION | | |
|-----------------------|-------------------------|--------------|
| L | W | H |
| 49.72"(1263mm) | 13.11"(333mm) | 7.40"(188mm) |
| Net Weight | Gross Weight | QUANTITY |
| 17.2 lbs. (7.8 kg) | 26.3 lbs. (11.95 kg) | 4 pcs. |

VPR-22-MU-25-9TW-A

| OUTER DIMENSION | | |
|------------------------|-----------------------|--------------|
| L | W | H |
| 25.98"(660mm) | 24.61"(625mm) | 7.40"(188mm) |
| Net Weight | Gross Weight | QUANTITY |
| 22.9 lbs. (10.4 kg) | 24 lbs. (10.89 kg) | 4 pcs. |

VPR-24-MU-36-9TW-A

| OUTER DIMENSION | | |
|-----------------------|-------------------------|--------------|
| L | W | H |
| 50.04"(1271mm) | 24.61"(625mm) | 7.40"(188mm) |
| Net Weight | Gross Weight | QUANTITY |
| 37.48 lbs. (17 kg) | 39.7 lbs. (18.01 kg) | 4 pcs. |