

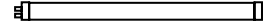


WHSG3-UNV-T8-IS

Instant Start Fluorescent Ballast

- Solid State Electronic Ballast
- Universal Voltage: 120-277VAC ±10%, 50/60Hz
- Instant Start
- UL / cUL Listed, Class P

This Ballast Will Operate The Following Lamps:



F17T8, F25T8, F32T8/25, F32T8/28, F32T8/30,
FBO28T8, FBO31T8, FBO32T8, F32T8 F32T8, F40T8

General Specifications

Input Voltage	120 - 277VAC ±10%, 50 / 60Hz
Lamps Operated	2 or 3 Lamps
Current Crest factor	≤1.7
EMI / RFI Compliance	FCC Part 18-A (Non-Consumer)
Sound Rating	" A "
Ballast Type	Instant Start
Voltage Transients	ANSI C82.11 - 2005
Input Protection	Fuse
Remote Mounting	18ft Max.
Min. Operating Temp	-18°C (0°F)
Max. Case Temp	90°C (194°F)
Type "HL" Approval	Approved For Hazardous Location
Approvals Class	UL / cUL Listed, Class "P", 1 Outdoor
Warranty	5 Years from the date of manufacture when properly installed

Electrical Data @120VAC

Lamp Wattage / Type	Lamps Operated	Input Wattage	Line Current	Power Factor	Ballast Factor	Efficacy Factor	THD
F25T8	2	50	0.42	≥0.98	1.00	1.96	≥10%
F32T8/25	2	51	0.43	≥0.98	1.00	1.95	≥10%
F32T8/28	2	54	0.55	≥0.98	0.99	1.83	≥10%
F32T8/30	2	59	0.48	≥0.98	0.99	1.67	≥10%
FBO28T8	2	54	0.45	≥0.98	0.99	1.83	≥10%
FBO31T8	2	61	0.51	≥0.98	0.99	1.62	≥10%
FBO32T8	2	63	0.53	≥0.98	0.99	1.57	≥10%
F32T8	2	63	0.53	≥0.98	0.99	1.57	≥10%
F40T8	2	78	0.65	≥0.98	0.95	1.22	≥10%
F17T8	3	45	0.38	≥0.98	0.92	2.04	≥10%
F25T8	3	68	0.56	≥0.98	0.90	1.32	≥10%
F32T8/25	3	68	0.56	≥0.98	0.90	1.32	≥10%
F32T8/28	3	72	0.60	≥0.98	0.88	1.22	≥10%
F32T8/30	3	79	0.65	≥0.98	0.88	1.11	≥10%
FBO28T8	3	72	0.60	≥0.98	0.88	1.22	≥10%
FBO31T8	3	80	0.67	≥0.98	0.88	1.10	≥10%
FBO32T8	3	85	0.71	≥0.98	0.88	1.04	≥10%
F32T8	3	85	0.71	≥0.98	0.88	1.04	≥10%



WHSG3-UNV-T8-IS



Electrical Data @230VAC

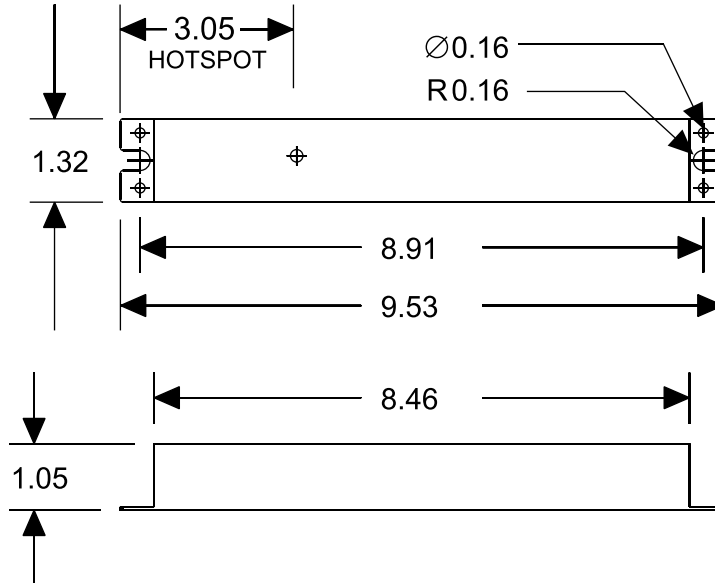
Lamp Wattage / Type	Lamps Operated	Input Wattage	Line Current	Power Factor	Ballast Factor	Efficacy Factor	THD
F25T8	2	50	0.23	≥0.96	1.00	1.96	≤15%
F32T8/25	2	51	0.23	≥0.97	1.00	1.95	≤15%
F32T8/28	2	53	0.24	≥0.97	0.99	1.86	≤15%
F32T8/30	2	58	0.26	≥0.97	0.99	1.70	≤15%
FBO28T8	2	53	0.24	≥0.97	0.99	1.86	≤15%
FBO31T8	2	60	0.27	≥0.97	0.99	1.65	≤15%
FBO32T8	2	63	0.28	≥0.97	0.99	1.57	≤15%
F32T8	2	63	0.28	≥0.97	0.99	1.57	≤15%
F40T8	2	77	0.35	≥0.97	0.99	1.23	≤15%
F17T8	3	45	0.20	≥0.96	0.92	2.04	≤15%
F25T8	3	66	0.30	≥0.97	0.90	1.38	≤15%
F32T8/25	3	68	0.30	≥0.97	0.90	1.32	≤15%
F32T8/28	3	70	0.31	≥0.98	0.88	1.25	≤15%
F32T8/30	3	77	0.34	≥0.98	0.88	1.14	≤15%
FBO28T8	3	70	0.31	≥0.98	0.88	1.25	≤15%
FBO31T8	3	79	0.35	≥0.98	0.88	1.11	≤10%
FBO32T8	3	83	0.37	≥0.98	0.88	1.06	≤10%
F32T8	3	83	0.37	≥0.98	0.88	1.06	≤10%

Electrical Data @277VAC

Lamp Wattage / Type	Lamps Operated	Input Wattage	Line Current	Power Factor	Ballast Factor	Efficacy Factor	THD
F25T8	2	50	0.18	0.96	1.00	1.96	≤15%
F32T8/25	2	51	0.19	0.97	1.00	1.95	≤15%
F32T8/28	2	53	0.20	0.97	0.99	1.86	≤15%
F32T8/30	2	58	0.21	0.97	0.99	1.70	≤15%
FBO28T8	2	53	0.20	0.97	0.99	1.86	≤15%
FBO31T8	2	60	0.22	0.97	0.99	1.65	≤15%
FBO32T8	2	63	0.24	0.97	0.99	1.57	≤15%
F32T8	2	63	0.24	0.97	0.99	1.57	≤15%
F40T8	2	77	0.29	0.97	0.99	1.23	≤15%
F17T8	3	45	0.17	0.96	0.92	2.04	≤15%
F25T8	3	66	0.24	0.97	0.90	1.38	≤15%
F32T8/25	3	68	0.25	0.97	0.90	1.32	≤15%
F32T8/28	3	70	0.26	0.98	0.88	1.25	≤15%
F32T8/30	3	77	0.28	0.98	0.88	1.14	≤15%
FBO28T8	3	70	0.26	0.98	0.88	1.25	≤15%
FBO31T8	3	79	0.29	0.98	0.88	1.11	≤10%
FBO32T8	3	83	0.31	0.98	0.88	1.06	≤10%
F32T8	3	83	0.31	0.98	0.88	1.06	≤10%

WHSG3-UNV-T8-IS

Mechanical Data

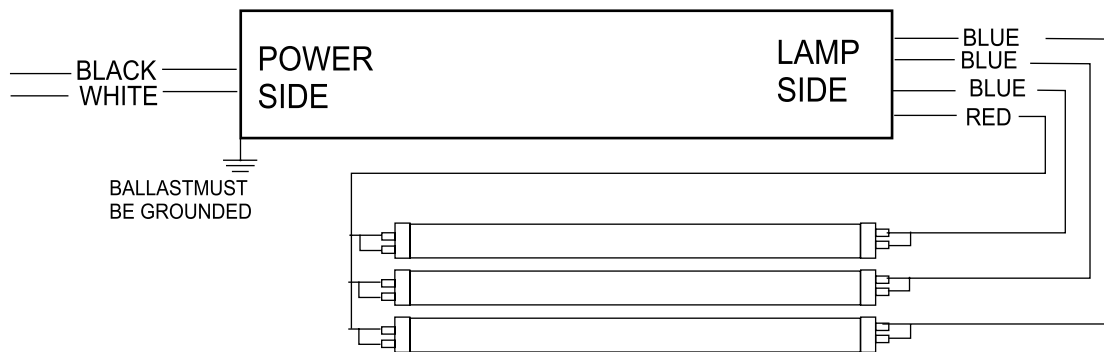


Where : L = Length, W = Width, H = Height

Wiring Diagram

Wire Color	Length (Inches)
Black	25" ±1"
White	25" ±1"

Wire Color	Length (Inches)
Red	46" ±1"
Blue	32" ±1"



FOR TWO LAMP APPLICATION, CAP ONE BLUE WIRE.

Note: This ballast case must be grounded