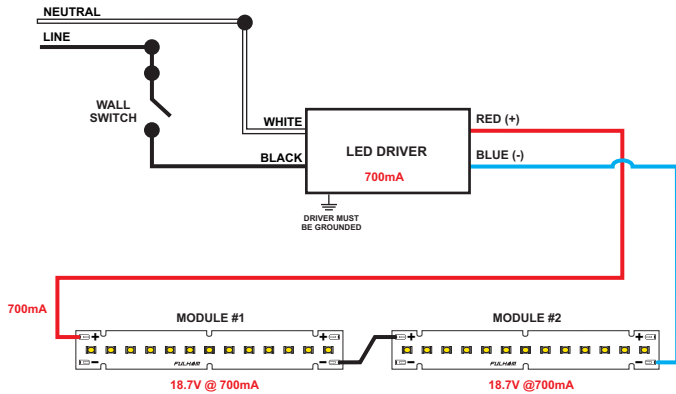


1 Two (2) Modules

SERIES



Rule: For Series wiring

- Current stays the same (per driver output)
- Voltage added per module specification (cannot exceed maximum output voltage of driver)

Example based on drawing:

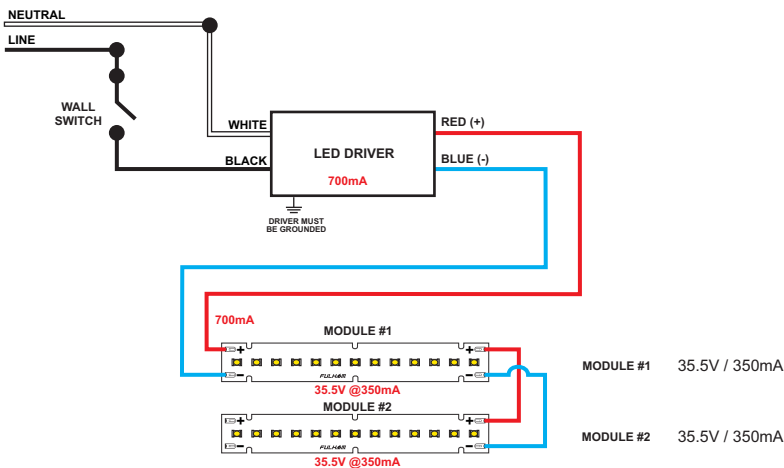
Driver Model: T1M1UNV0700-30L
Output Current: 700mA
Output Voltage: 21-42VDC

Module Part Number: TMU075014HL840A
Module Nominal Input Current: 700mA (750mA Max.)
Module Nominal Operating Voltage @ Max. Current: 18.7VDC

Driver	Mod#1	Mod#2
Total Vf:	37.4V = 18.7V + 18.7V	
Total If:	700mA	

2 Parallel, Two (2) Modules Side By Side

PARALLEL



Rule: For Parallel wiring

- Current is split out of driver (the sum of all currents in each module is equal to the LED driver current.)
- Voltage stays the same between modules (voltage of each module must be the same for all modules wired together)

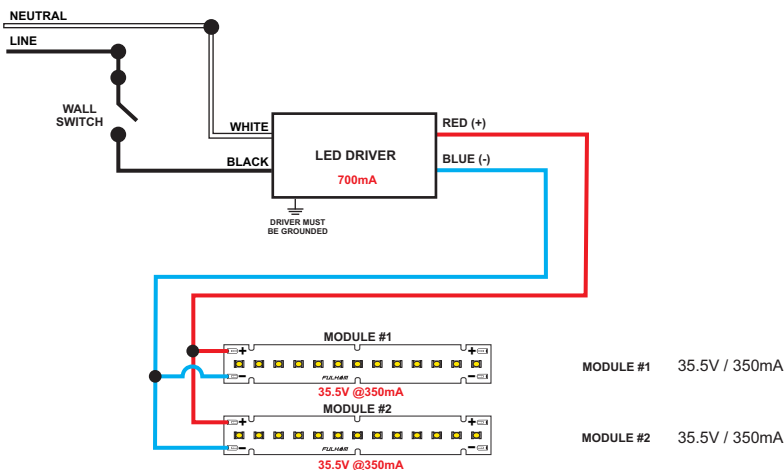
Example based on drawing:

Driver Model: T1M1UNV0700-30L
Output Current: 700mA
Output Voltage: 21-42VDC

Module Part Number: TMU125050CL840A
Module Nominal Current Input: 700mA @ 36V (1250mA Max.)
Module Nominal Operating Voltage @ Max. Current: 35.5VDC

Driver	Mod#1	Mod#2
Total Vf:	35.5V = 35.5V	35.5V
Total If:	700mA = 350mA + 350mA	

Parallel, Two (2) Modules Side By Side



CONSTANT VOLTAGE DRIVER WIRING GUIDE

1 Two (2) Modules

SERIES

NOTE: Not Recommended

Rule: For Series wiring

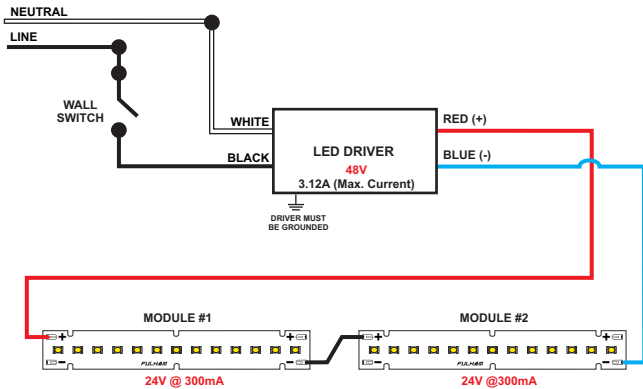
- Current stays the same (current is dependent and determined by the Module)
- Voltage is added per module, module must be constant voltage (the sum of voltage across each module is equal to the output voltage of the driver)

Example based on drawing:

Driver Model: T1UNV048V-150L
Output Current: 3.12A
Output Voltage: 48VAC

Module Part Number: TMU24V008BL840A
Module Nominal Current Input: 300mA
Module Nominal Operating Voltage @ Max. Current: 24VDC ± 5%

Driver	Mod#1	Mod#2
Total Vf:	48V = 24V + 24V	
Total If:	300mA = 300mA	300mA



2 Parallel, Two (2) Modules Side By Side

PARALLEL

* Constant Voltage Driver is intended for parallel wiring

Rule: For Parallel wiring

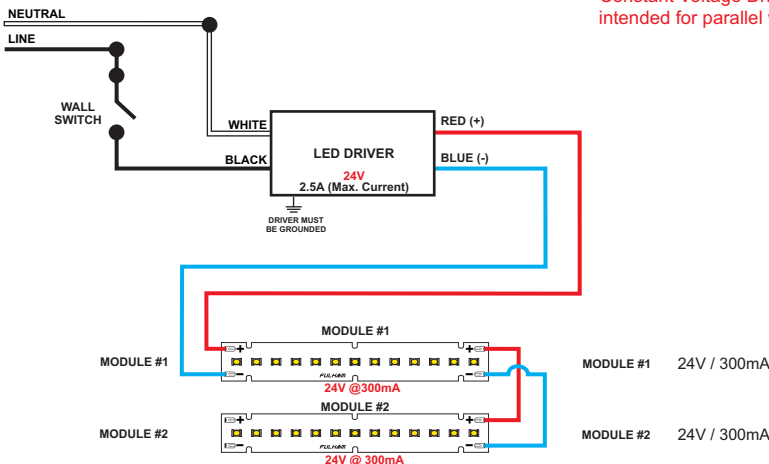
- Current is split out of driver (the total current drawn is dependent on modules)
- Voltage stays the same between modules (voltage of each module must be the same for all modules wired together)

Example based on drawing:

Driver Model: T1M1UNV024V-60L
Output Current: 0-2.5A
Output Voltage: 24VDC

Module Part Number: TMU24V008BL840A
Module Nominal Current Input: 300mA
Module Nominal Operating Voltage @ Max. Current: 24VDC ± 5%

Driver	Mod#1	Mod#2
Total Vf:	24V = 24V	24V
Total If:	600mA = 300mA + 300mA	



Parallel, Two (2) Modules Side By Side

