



# T1240050S-20JE

## SPECIFICATIONS

IP 20



- **IN-TRACK Constant current LED Driver**
- **O/P Current selection through DIP Switch**
- **Suitable for Single Phase 3 wire Tracks**
- **Flicker free, O/P Ripple Current < 10%**
- **Output Current: 350 - 500mA +/- 7%**
- **Output voltage range of 28-40Vdc**
- **Output Wattage : 20W Max**
- **Application**
  - LED indoor lighting
  - LED office lighting

### General Specifications

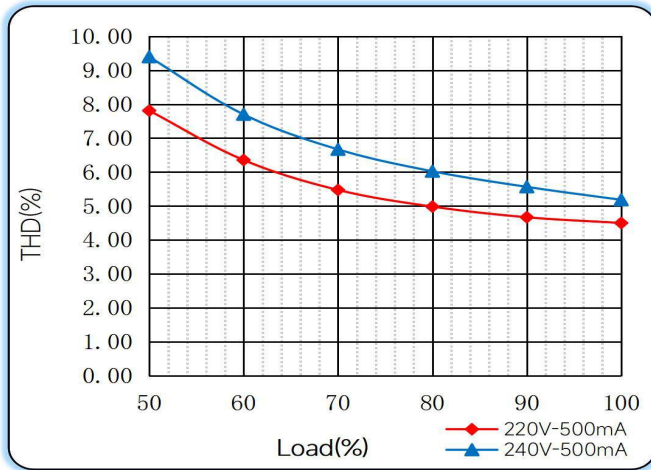
Rated Input Voltage	240VAC ±10%, 50/60Hz
Operating Input Voltage Range	196-264VAC, 50/60Hz
Input Current	0.16 A Max.
Input Power	24W Max.
Power Factor	>0.9 @ 230Vac Full Load
THD	< 10% @ 230Vac Full Load
Efficiency	>80%
Driver Type	Constant Current
Output Current	350mA ±7%, 400mA +7%, 450mA +7%, 500mA +7%
Output Voltage Range	28-40VDC
Output Power	20W
Number of Output Channels	1 Channel
Dimming Controller Type/Dimming Range	NA
RFI/EMI	CE
Output Type	Class II
Ambient Operating Temperature Range	-10°C to 40°C
Max. Case Temperature	75°C
Sound Rating	NA
Input Surge Protection	Line-Neutral 1kV
Protections	Input Over Current : NON-Resettable Input Over Voltage : NA Input Under Voltage : NA Output Short Circuit : Auto recovery Output Open Circuit : Auto recovery Output Overload : YES Over Temperature : YES
Service Life	30,000 hours @ Tc 75°C
Approvals / Class	Dry Locations
Warranty	3 Years
Weight	0.220Kg

### DIP Switch Chart :

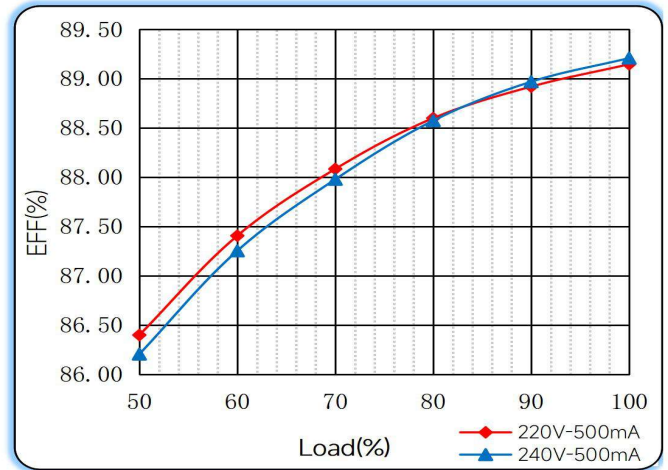
I <sub>rated</sub> (mA)	DIPSwitch		P <sub>rated</sub> (W)
	PIN 1	PIN 2	
350	OFF	OFF	14
400	ON	OFF	16
450	OFF	ON	18
500	ON	ON	20

Fulham extends a limited warranty only to the original purchaser or to the first user for a period of 3 years @ Tc 75°C from the date of manufacture when properly installed and operated under normal conditions of use. For complete terms and conditions, please reference the Fulham Product Catalog ([www.fulham.com](http://www.fulham.com)). Due to a program of continuous improvement, Fulham reserves the right to make modifications or variations in design or construction to the equipment described. © Fulham Company Limited, All Rights Reserved.

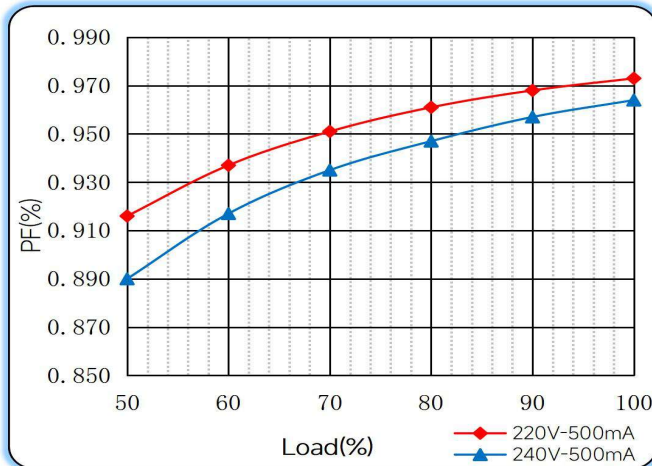
### THD vs. Load



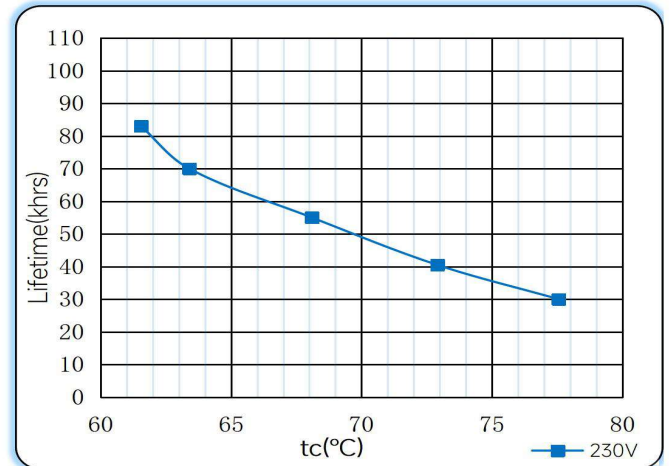
### Efficiency vs. Load



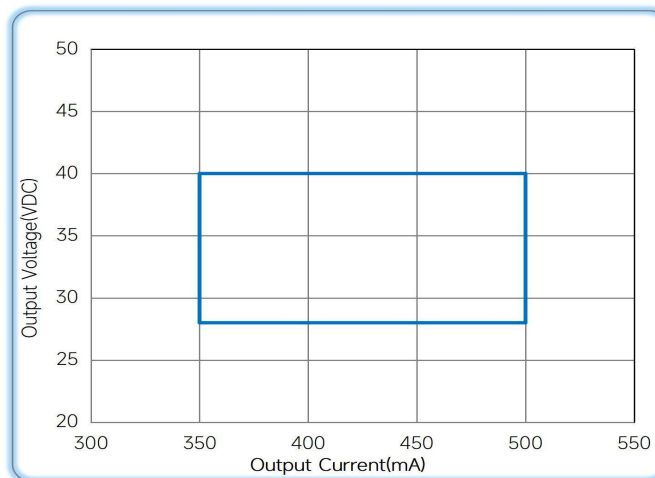
### Power Factor Characteristics



### Lifetime vs. Temperature Curve

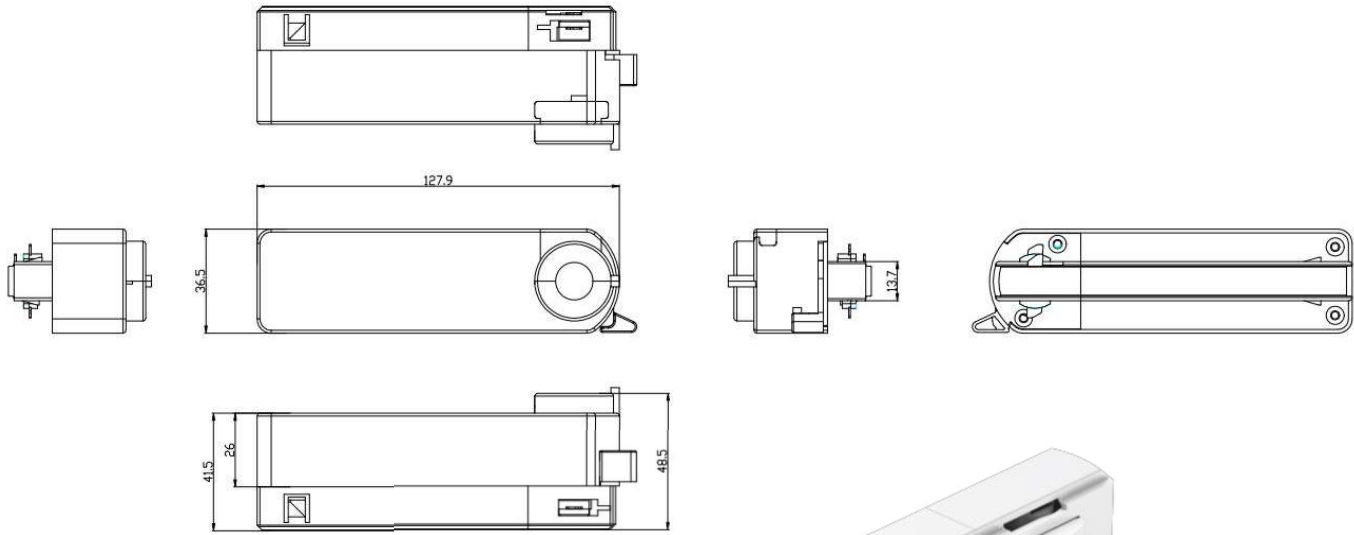


### Operating window

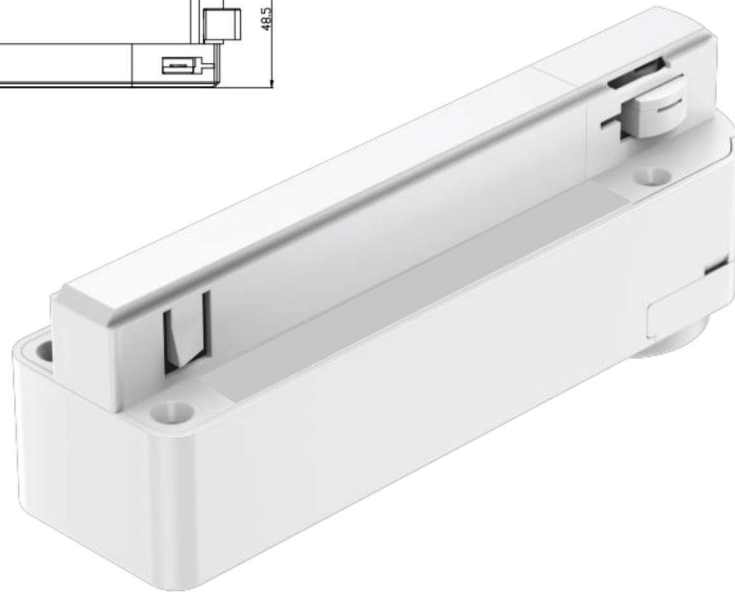


Fulham extends a limited warranty only to the original purchaser or to the first user for a period of 3 years @ Tc 75°C from the date of manufacture when properly installed and operated under normal conditions of use. For complete terms and conditions, please reference the Fulham Product Catalog ([www.fulham.com](http://www.fulham.com)). Due to a program of continuous improvement, Fulham reserves the right to make modifications or variations in design or construction to the equipment described. © Fulham Company Limited, All Rights Reserved.

**Mechanical Data**



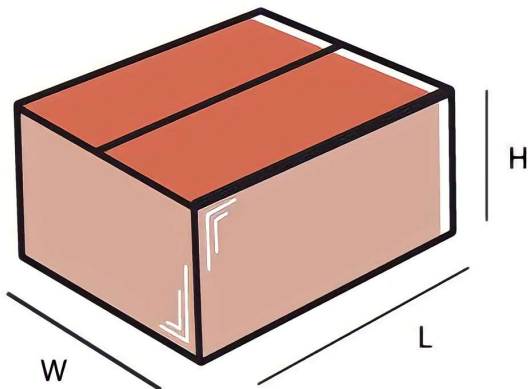
**Product Image**



**Note : All Dimensions are in mm.**

**Tolerance=±0.5mm**

**Packaging**



**Master carton**

OUTER DIMENSION		
L	W	H
Net Weight	Gross Weight	QUANTITY

Fulham extends a limited warranty only to the original purchaser or to the first user for a period of 3 years @ Tc 75°C from the date of manufacture when properly installed and operated under normal conditions of use. For complete terms and conditions, please reference the Fulham Product Catalog ([www.fulham.com](http://www.fulham.com)). Due to a program of continuous improvement, Fulham reserves the right to make modifications or variations in design or construction to the equipment described. © Fulham Company Limited, All Rights Reserved.