



T1240012V-100EES

SPECIFICATIONS

IP 20



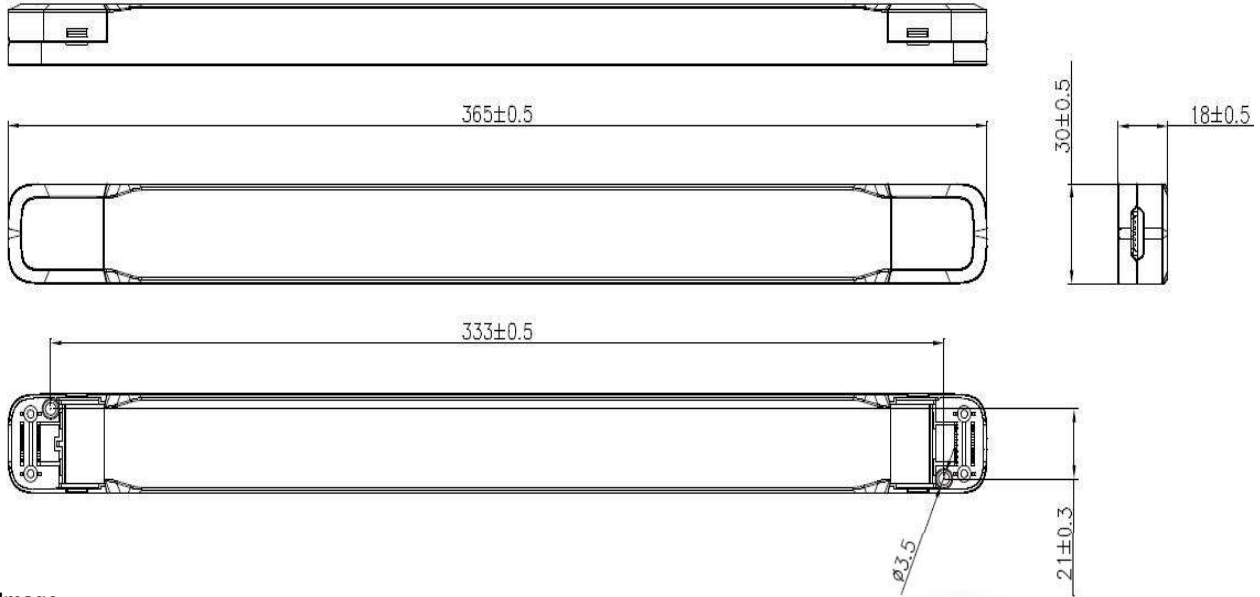
- **SLIM Constant Voltage LED Driver**
- **Flicker free, O/P Ripple Current < 10%**
- **Output Wattage : 100W Max**
- **Output Current: 8.33A**
- **Output voltage 12Vdc**
- **Application**
- CV indoor Lights

General Specifications

Rated Input Voltage	240VAC ±10%, 50/60Hz
Operating Input Voltage Range	196-264VAC, 50/60Hz
Input Current	0.46 A Max.
Input Power	111W Max.
Power Factor	>0.9 @ 230Vac Full Load
THD	< 10% @ 230Vac Full Load
Efficiency	>85%
Driver Type	Constant Voltage
Output Current	8.33A
Output Voltage Range	12VDC ±5%
Output Power	100W
Number of Output Channels	1 Channel
Dimming Controller Type/Dimming Range	NA
RFI/EMI	CE
Output Type	Class II
Ambient Operating Temperature Range	-20°C to 45°C
Max. Case Temperature	75°C
Sound Rating	NA
Input Surge Protection	Line-Neutral 1kV
Protections	Input Over Current : NON-Resettable Input Over Voltage : NA Input Under Voltage : NA Output Short Circuit : Auto recovery Output Open Circuit : Auto recovery Output Overload : YES Over Temperature : YES
Service Life	50,000 hours @ Tc 75°C
Approvals / Class	Dry Locations
Warranty	3 Years
Weight	0.220Kg

Fulham extends a limited warranty only to the original purchaser or to the first user for a period of 3 years @ Tc 75°C from the date of manufacture when properly installed and operated under normal conditions of use. For complete terms and conditions, please reference the Fulham Product Catalog (www.fulham.com). Due to a program of continuous improvement, Fulham reserves the right to make modifications or variations in design or construction to the equipment described. © Fulham Company Limited, All Rights Reserved.

Mechanical Data



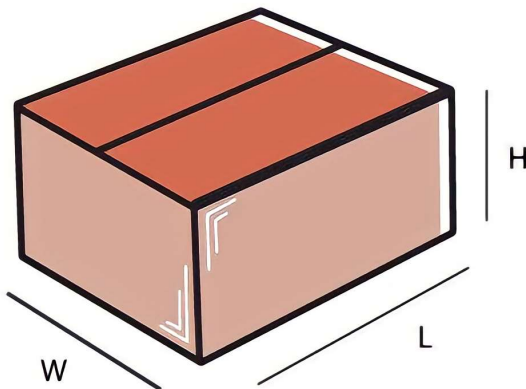
Product Image



Note : All Dimensions are in mm.

Tolerance=±0.5mm

Packaging



Master carton

OUTER DIMENSION		
L	W	H
Net Weight	Gross Weight	QUANTITY

Fulham extends a limited warranty only to the original purchaser or to the first user for a period of 3 years @ Tc 75°C from the date of manufacture when properly installed and operated under normal conditions of use. For complete terms and conditions, please reference the Fulham Product Catalog (www.fulham.com). Due to a program of continuous improvement, Fulham reserves the right to make modifications or variations in design or construction to the equipment described. © Fulham Company Limited, All Rights Reserved.