



T1240080S-32JE

SPECIFICATIONS

IP 20



- **IN-TRACK Constant current LED Driver**
- **O/P Current selection through DIP Switch**
- **Suitable for Single Phase 3 wire Tracks**
- **Flicker free, O/P Ripple Current < 10%**
- **Output Current: 500 - 800mA +/- 7%**
- **Output voltage range of 28-40Vdc**
- **Output Wattage : 32W Max**
- **Application**
 - LED indoor lighting
 - LED office lighting

General Specifications

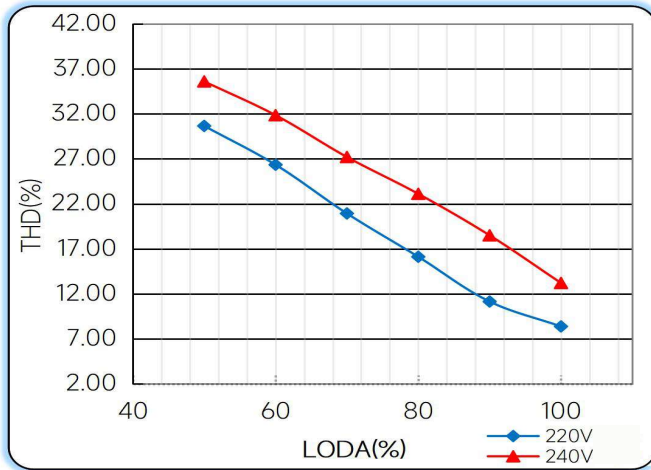
Rated Input Voltage	240VAC ±10%, 50/60Hz
Operating Input Voltage Range	196-264VAC, 50/60Hz
Input Current	0.22 A Max.
Input Power	37W Max.
Power Factor	>0.9 @ 230Vac Full Load
THD	< 10% @ 230Vac Full Load
Efficiency	>85%
Driver Type	Constant Current
Output Current	500mA ±7%, 600mA +7%, 700mA +7%, 800mA +7%
Output Voltage Range	28-40VDC
Output Power	32W
Number of Output Channels	1 Channel
Dimming Controller Type/Dimming Range	NA
RFI/EMI	CE
Output Type	Class II
Ambient Operating Temperature Range	-10°C to 35°C
Max. Case Temperature	75°C
Sound Rating	NA
Input Surge Protection	Line-Neutral 1kV
Protections	Input Over Current : NON-Resettable Input Over Voltage : NA Input Under Voltage : NA Output Short Circuit : Auto recovery Output Open Circuit : Auto recovery Output Overload : YES Over Temperature : YES
Service Life	30,000 hours @ Tc 75°C
Approvals / Class	Dry Locations
Warranty	3 Years
Weight	0.220Kg

DIP Switch Chart :

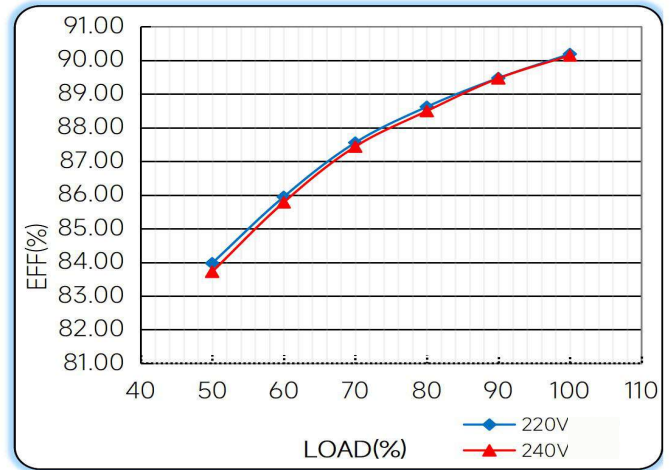
I _{rated} (mA)	DIPSwitch		P _{rated} (W)
	PIN 1	PIN 2	
500	OFF	OFF	20
600	ON	OFF	24
700	OFF	ON	28
800	ON	ON	32

Fulham extends a limited warranty only to the original purchaser or to the first user for a period of 3 years @ Tc 75°C from the date of manufacture when properly installed and operated under normal conditions of use. For complete terms and conditions, please reference the Fulham Product Catalog (www.fulham.com). Due to a program of continuous improvement, Fulham reserves the right to make modifications or variations in design or construction to the equipment described. © Fulham Company Limited, All Rights Reserved.

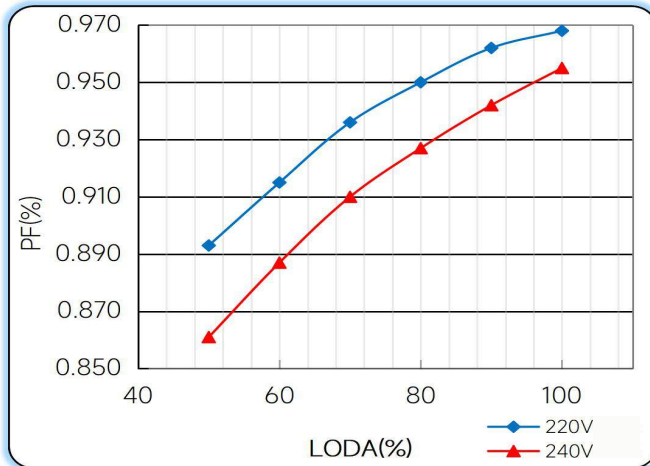
THD vs. Load



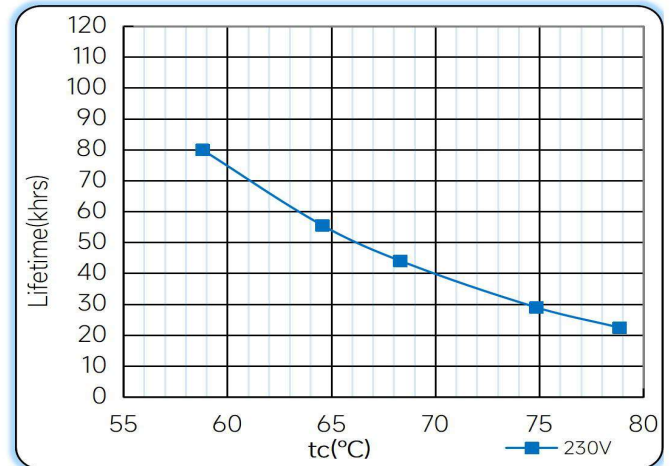
Efficiency vs. Load



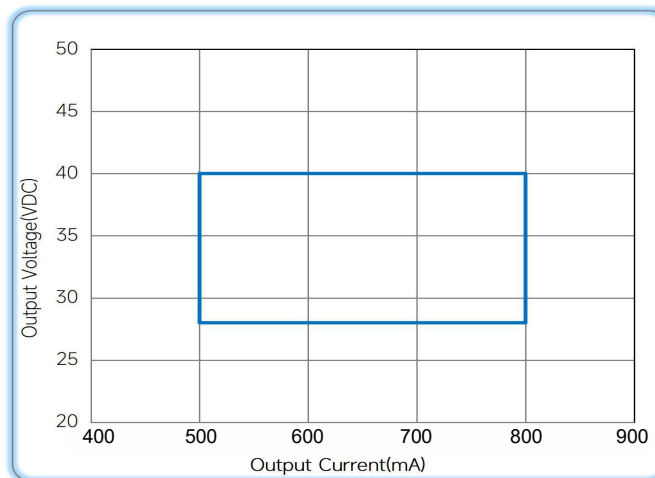
Power Factor Characteristics



Lifetime vs. Temperature Curve

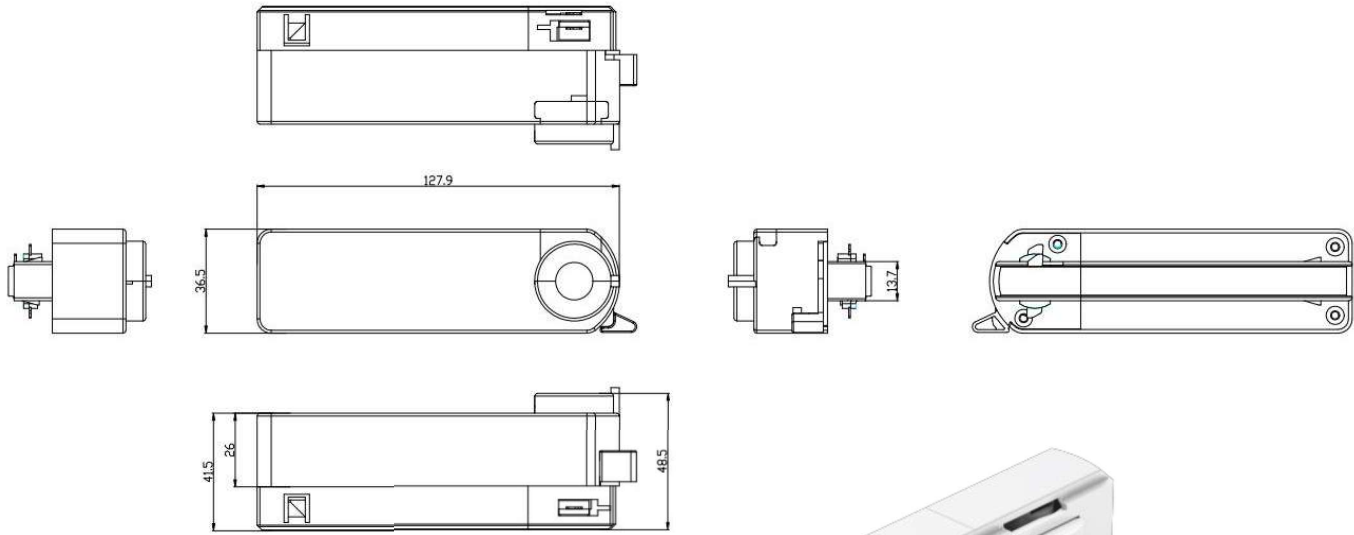


Operating window

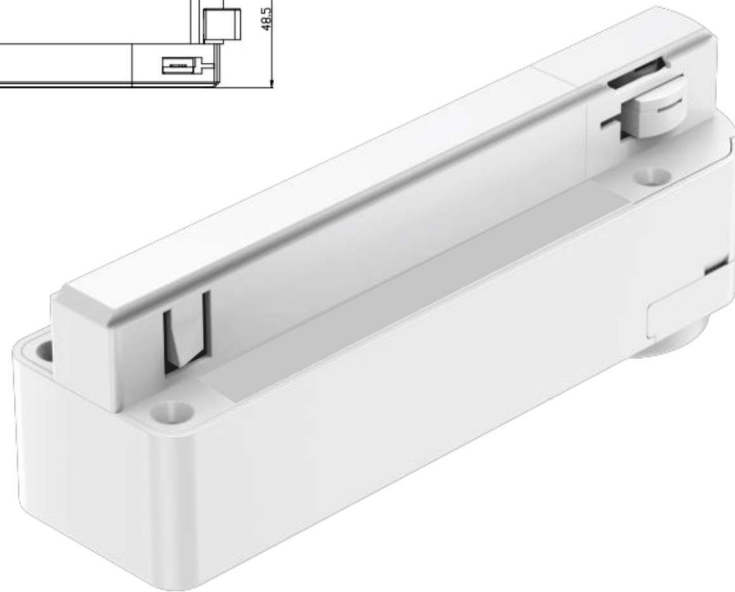


Fulham extends a limited warranty only to the original purchaser or to the first user for a period of 3 years @ Tc 75°C from the date of manufacture when properly installed and operated under normal conditions of use. For complete terms and conditions, please reference the Fulham Product Catalog (www.fulham.com). Due to a program of continuous improvement, Fulham reserves the right to make modifications or variations in design or construction to the equipment described. © Fulham Company Limited, All Rights Reserved.

Mechanical Data



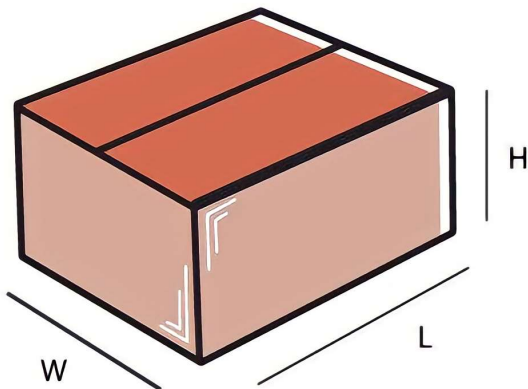
Product Image



Note : All Dimensions are in mm.

Tolerance=±0.5mm

Packaging



Master carton

OUTER DIMENSION		
L	W	H
Net Weight	Gross Weight	QUANTITY

Fulham extends a limited warranty only to the original purchaser or to the first user for a period of 3 years @ Tc 75°C from the date of manufacture when properly installed and operated under normal conditions of use. For complete terms and conditions, please reference the Fulham Product Catalog (www.fulham.com). Due to a program of continuous improvement, Fulham reserves the right to make modifications or variations in design or construction to the equipment described. © Fulham Company Limited, All Rights Reserved.