

FEATURES

- Supports DALI-2 + PUSH DIM + PUSH CCT Control
- Inbuilt CLO Function
- 10-level current output can be realized by DIP-switch
- Compliance to DALI-2 PART 101, 102, 207, 209, 250, 251, 252, 253
- Soft dimming and flicker-free at any brightness
- SELV CLASS II Design.
- Dimming range 1% to 100%.
- Standby power input <0.5W.
- High PF, Low THD, High Efficiency.
- CE, Flicker free.
- IP 20 Protection grade.
- Life 50,000hrs.
- Suitable for indoor use only.

INTERFACE

- DALI-2 DT8
- PUSH-DIM
- PUSH-CCT

FUNCTIONS

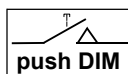
- Memory function
- Suitable for emergency lighting (EL)
- Protection features (short circuit, open circuit, over load, no load, hot plug-in)

SUITABLE FOR LIGHTS

- Suitable for Linear lights, tri-proof lights, working lights and other linear or ultra thin lights.

TYPICAL APPLICATIONS

- LED Indoor lighting.
- LED Office lighting.
- LED Commercial lighting.



- Dimmable Constant Current DT8 LED Driver
- Multiple current selection through dip switch.
- Output Current: 100 - 350mA
- Flicker Free: O/P Ripple current < $\pm 5\%$
- Dimming range 1 to 100%
- Output Wattage : 10W Max
- Output voltage range of 9-30Vdc
- Flicker-free at any brightness, meeting the standard of flicker-free(IEEE 1789-2015)
- DALI PART 101, 102, 207, 209, 251, 252 & 253
- Application
 - LED indoor lighting
 - LED office lighting
 - LED architectural lighting
 - LED panel lamp lighting

General Specifications

Rated Input Voltage	200-240VAC, 50/60Hz
Operating Input Voltage Range	180-264VDC
Input Current	<0.09A (Rated input voltage)
Input Power	13.4W
Power Factor	PF>0.95 (230V AC & Full load)
THD	$\leq 10\%$ (230V AC & Full Load)
Efficiency (Typical)	$\geq 80.5\%$ (230V AC & Full Load)
Driver Type	Constant Current DALI-2
Output Current	100mA to 350mA $\pm 3\%$ 9-30VDC * Refer DIP switch Table for O/P current selection.
Output Voltage Range	9-30Vdc
No Load Output Volatge	59VDC
Output Power	10.5W Max
Number of Output Channels	2 Channel
Class	Class II
Dimming Controller Type/Dimming Range	DALI 2.0, 1%-100%
Ambient Operating Temperature Range	-20°C to 50°C
Max. Case Temperature	90°C
Input Surge Protection	L-N:2KV
Protections	Output Short Circuit : Yes Output Open Circuit : Yes Output Overload : Yes
Certification and Standards	EN61347-1, EN61347-2-13, En62384 EN55015, EN61000-3-2, EN61000-3-3, EN61000-4-2,3,4,5,6,8,11, EN61547 EN62386-101(DALI-2), EN62386-102(DALI-2),, EN62386-207(DALI-2) IEC 62386-101, IEC 62386-102, IEC 62386-107
Withstand Voltage	I/P-O/P(LED):3750V AC, I/P-DALI: 1500V AC, O/P-DALI: 3750V AC.
Isolation resistance	I/P-FG:100M Ω /500Vdc/25°C/70% RH
Life	Nominal life-time up to 100,000 h
Approvals / Class	BIS,CE
Warranty	5 Years
Weight	76 gm

Note : Suitable for indoor application only

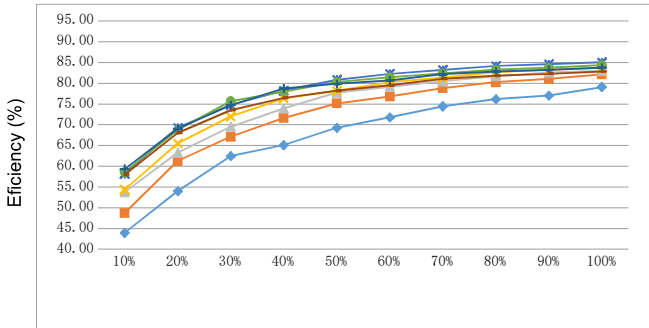
Electrical values

DIP-switch & output current

Switching selection sheet					
Output			Switch		
Prated(W)	Irated(mA)	Voltage(Vdc)	1	2	3
5.40	100	9-54	ON	ON	ON
8.10	150	9-54	—	ON	ON
9.45	175	9-54	ON	—	ON
10.80	200	9-54	—	—	ON
10.50	250	9-42	ON	ON	—
10.75	275	9-39	—	ON	—
10.8	300	9-36	ON	—	—
10.5	350	9-30	—	—	—

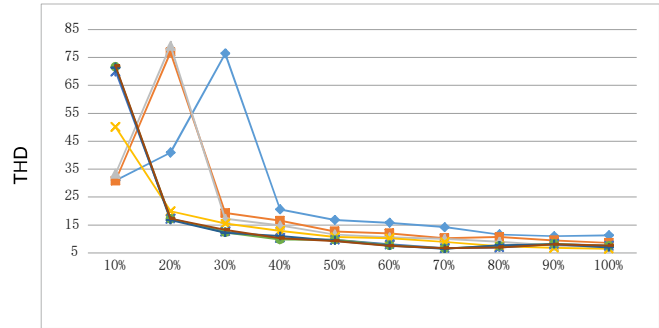
Remark: **■** This current is factory default.
— This Switch is off.

Efficiency vs load



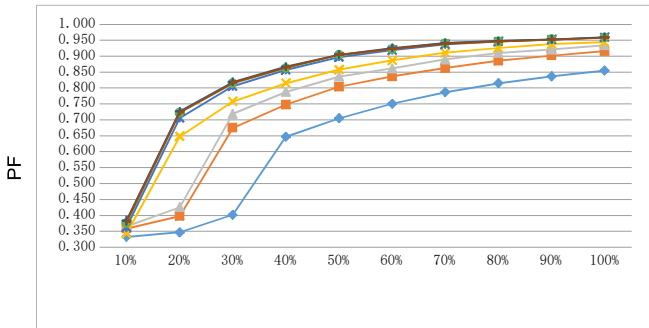
Load(%)

THD vs. Load



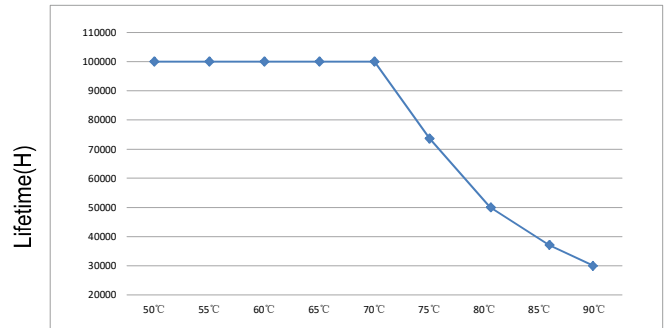
Load(%)

Power factor vs. Load



Load(%)

Life-time vs. case temperature

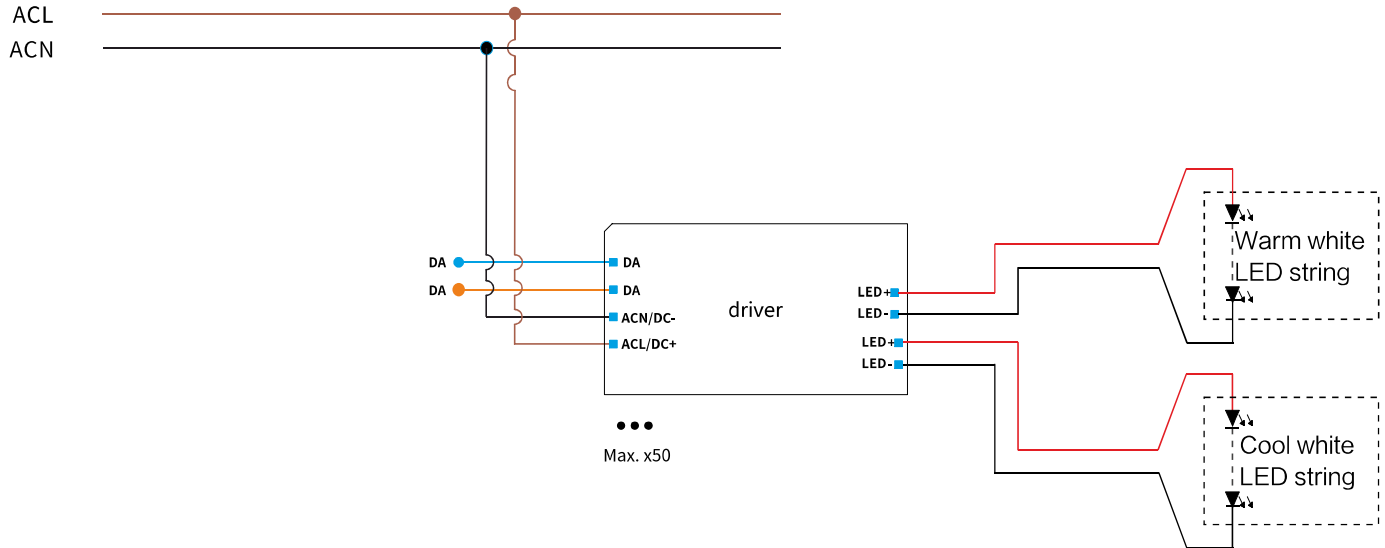


Case temperature(Tc)

Fulham extends a limited warranty only to the original purchaser or to the first user for a period of **05 years @ Tc 80°C** from the date of manufacture when properly installed and operated under normal conditions of use. For complete terms and conditions, please reference the Fulham Product Catalog (www.fulham.com). Due to a program of continuous improvement, Fulham reserves the right to make modifications or variations in design or construction to the equipment described. © Fulham Company Limited, All Rights Reserved.

DALI dimming application

Wiring diagram



Activating DALI control mode

- After installation according to the wiring diagram of DALI control application, the driver will automatically switch to the DALI control mode after receiving any DALI command.

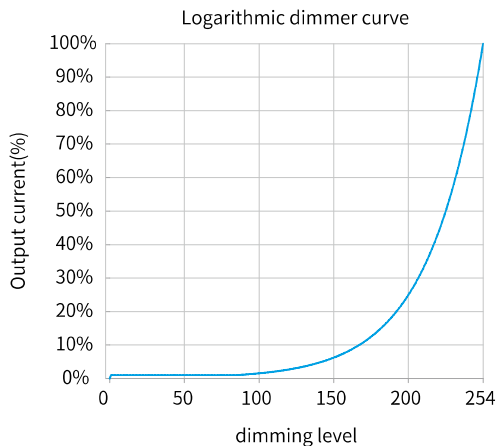
Remarks:

- Standard DALI control line voltage range: 9.5V to 22.5V ,type 16V.
- The two DALI control lines polarity-reversible.
- Max. 64 DALI drivers per DALI control line.
- The maximum distance length of the DALI control line is 300m at $2 \times 1.5\text{mm}^2$.
- DALI bus can be wired together with any mains voltage cables, but separate wiring is recommended.

Wiring distance vs cable size

Cable size	Distance
$2 \times 0.50\text{mm}^2$	max.100m
$2 \times 0.75\text{mm}^2$	max.150m
$2 \times 1.00\text{mm}^2$	max.200m
$\geq 2 \times 1.50\text{mm}^2$	max.300m

Dimming curve

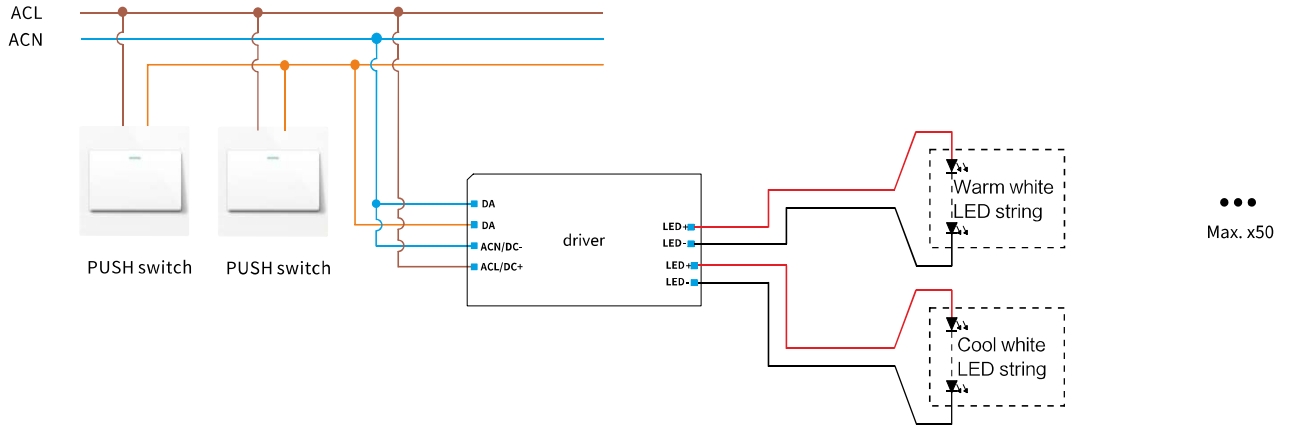


Remarks: The dimming curve can be selected by DALI configuration. The default is logarithmic dimming curve.

Fulham extends a limited warranty only to the original purchaser or to the first user for a period of **05 years @ Tc 80°C** from the date of manufacture when properly installed and operated under normal conditions of use. For complete terms and conditions, please reference the Fulham Product Catalog (www.fulham.com). Due to a program of continuous improvement, Fulham reserves the right to make modifications or variations in design or construction to the equipment described. © Fulham Company Limited, All Rights Reserved.

PUSH dimming application

Wiring diagram



Activating PUSH control mode

- Method 1: After installation according to the wiring diagram of PUSH-DIM control application, short press the PUSH dimming switch(PUSH-DIM port) 5 times within 3 seconds, the driver will automatically switch to PUSH control mode.
- Method 2: Use the configuration tool to set the driver's PUSH control function parameters and turn on the PUSH control function.
- After activating the PUSH control mode, the corridorFUNCTION dimming mode will be automatically deactivate.

Number of mounted drivers

- Up to 50pcs drivers can be mounted.

PUSH dimming switch operating instructions

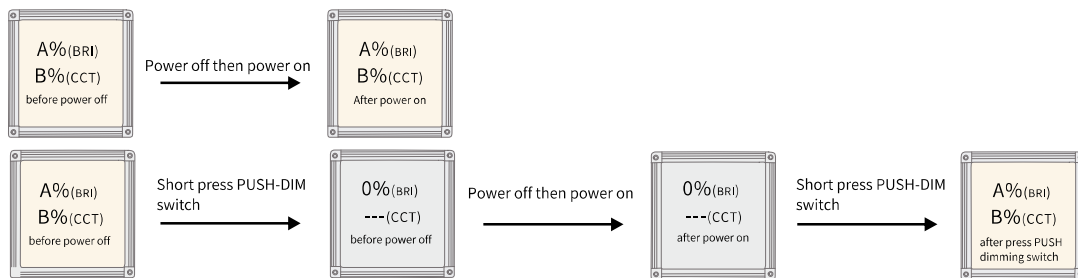
- Turn on or turn off: short press PUSH dimming switch for 0.2-1s.
- Stepless dimming : long press PUSH dimming switch for 1-6s, Press again to switch dimming directions.

PUSH CCT switch operating instructions

- Switch CCT level: short press PUSH CCT switch for 0.2-1s, 9 levels of preset CCT can be switched.
- Stepless CCT adjustment: long press CCT PUSH switch for 1-6s, Press again to switch CCT adjustment directions.

Power on status:

- After power on,the light state will be the same as the last dimming level and the last CCT level.
- If the light is on before the power is turned off, after turning the power back on, the brightness will be the same as the last time, and the color temperature will be the same as the last time.
- If the light is off before the power is turned off, the light will be turned off after the power is turned back on. You need to press the PUSH-DIM dimming switch for a short time to turn on the light. The brightness after lighting will be the same as the last time, and the color temperature will be the same as the last time.



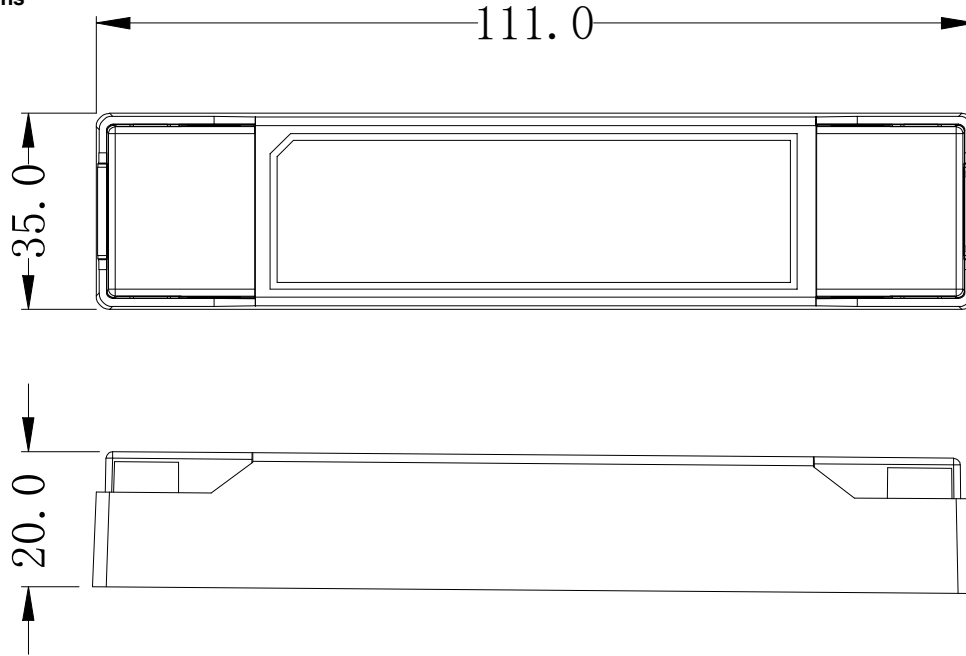
Multiple lights synchronize control operation

- method 1:
- Step 1: long press the PUSH-DIM switch, confirm each light is on.
 - Step 2: short press the PUSH-DIM switch, confirm each light is off.
 - Step 3: long press the PUSH-DIM switch, confirm each light is from darkest to brightest and all the lights are synchronous.
- method 2:
- Long press the PUSH-DIM dimming switch for more than 15s, all drivers will output 100% brightness and the color temperature is natural white (middle of color temperature range).

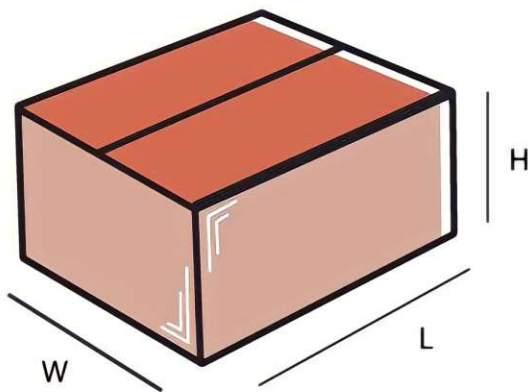
Installation

Mechanical dimensions

Unit:mm



Packaging



Master carton

OUTER DIMENSION		
L	W	H
Net Weight	Gross Weight	QUANTITY

Installation Instructions:

Connect Wires as per details given on the Driver Screen. Keep proper ventilation around the LED Driver and do not stack any object on it. Also a 10-15 cm clearance must be kept when the adjacent device is a heat source. Do not exceed the declared Hot spot temperature(T_c max) under any circumstances.

Fulham extends a limited warranty only to the original purchaser or to the first user for a period of **05 years @ T_c 80°C** from the date of manufacture when properly installed and operated under normal conditions of use. For complete terms and conditions, please reference the Fulham Product Catalog (www.fulham.com). Due to a program of continuous improvement, Fulham reserves the right to make modifications or variations in design or construction to the equipment described. © Fulham Company Limited, All Rights Reserved.