

FHSCP-UNV4-20W-L-SD-A



Emergency LED Driver

- Universal Voltage: 100-480VAC, 50/60Hz
- Output Voltage Range: 15-55V $\overline{\text{---}}$
- Output Current: 1333mA Max
- Output Wattage: 20W
- Output Type: LED Class 2
- Number of Output Channels: 1 Channel
- Dry and Damp

General Specifications

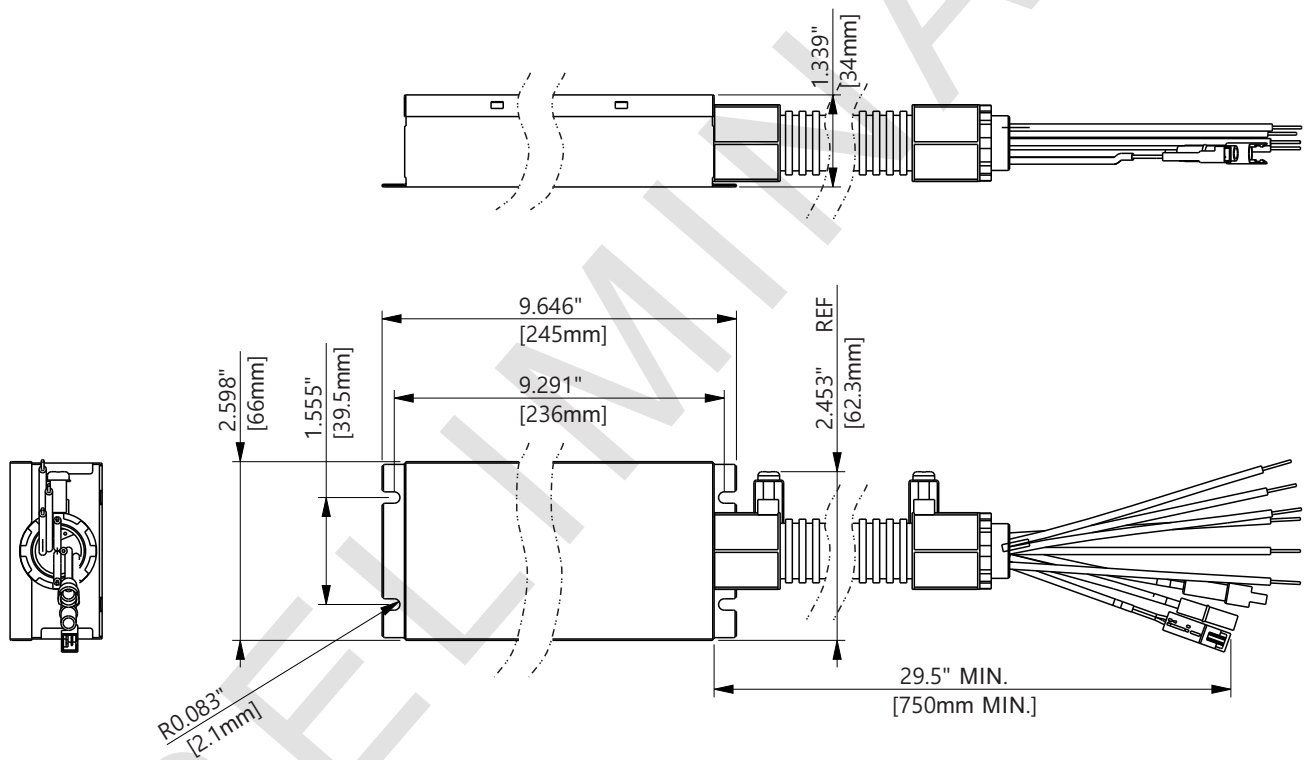
Input Voltage / Frequency	100-480VAC , 50/60Hz
Input Current	<0.12 A
Input Power	<6.5W
Maintain Power	<0.85W
Input Power Pass-Through Rating (AC Driver Line)	5A
Max Output Rating (LED+ LED- Terminal)	3A Max
	55V Max
Output Power	Typical 20W
Output Current Rated	1A Max
Output Voltage Range	15 - 55V $\overline{\text{---}}$
Number of Output Channels	1 Channel
Test Switch	Bi-Color
Input Surge Protection	3KV/6KV Ring wave, 1KV/2KV Combine surge
Protections	Output Open Protection Output Overload Protection Output Short Circuit Protection Over Temperature Protection
RFI/EMI	FCC Part15A
Ambient Operating Temperature Rang	0°C To 55°C (32°F To 131F°)
Tc	TBD
Sound Rating	A
Battery Type	Ternary lithium battery
Battery Voltage	10.95V
Pack Capacity	5200mAh
Battery Rating	56.94Wh
Battery Count	6 Cells
Battery Recharge Time	24 Hours
Battery Discharge Time	1.5 Hours Min.
IP Rating	IP20
Test Switch Remote Mounting Distance	20' (6m) Max.
Service Life	50,000 hours
Warranty	5 Years From the date of manufacture when properly installed
Safety Standard	UL 924, UL 1310, CSA C22.2 No.141

FHSCP-UNV4-20W-L-SD-A



Mechanical Data

Overall Dimensions	
Length	9.646" (245mm)
Width	2.453" (62.3mm)
Height	1.339" (34mm)



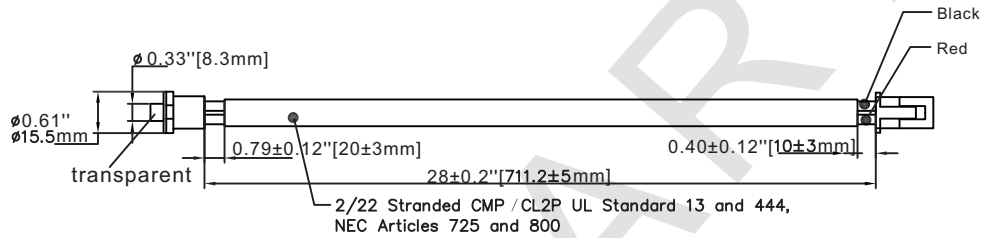
Tolerance=0.02"

FHSCP-UNV4-20W-L-SD-A



Accessories

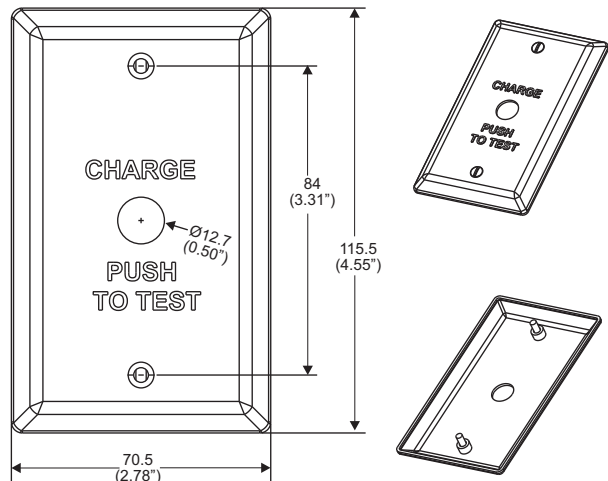
Test switch wire



Wall Plate: FHSWLPWH



Wall plate and screw color:
white with black lettering

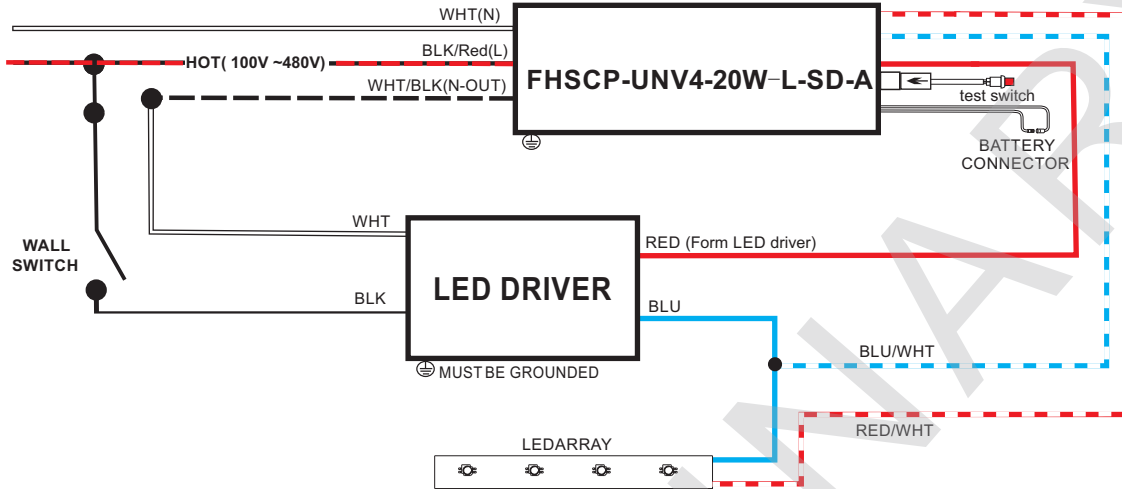


1. "Charge push to Test" plate
2. (2) 6-32 x 1/2" LG mounting screws

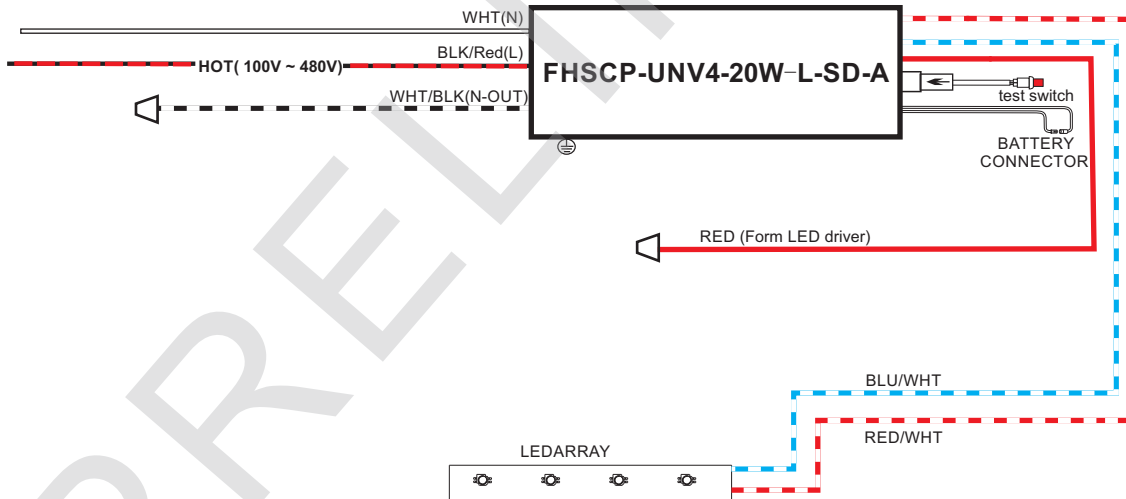
FHSCP-UNV4-20W-L-SD-A



Wiring Diagram



Wiring Diagram (Emergency Only)



SELF-DIAGNOSTIC INSTRUCTIONS / OPERATION:

If the self-diagnostic feature is enabled:

The emergency LED driver will conduct a self-check for sixty(60) seconds every thirty(30) days; and a ninety(90) minutes self-check every 12 months. After every self-check the LED indicator light will indicate a status signal. Check indicator status chart below to diagnose the status signal.

If the self-diagnostic feature is disabled:

User must conduct a manual test every thirty (30) days to ensure the emergency LED light source illuminates as intended. A full discharge test shall be conducted once a year; the LED light source shall illuminate for a minimum of ninety (90) minutes.

***Self-Diagnostic feature is factory enabled**

TEST SWITCH INDICATOR STATUS:

LED Indicators Status	EM Driver Status / Mode
● Solid Green	System OK / AC OK (Self-Diagnostic Enabled or Disabled)
⦿ Slow Flashing Red, 4s on / 1s off	Battery NOT detected, check battery switch or connection
⦿ Flashing Red, 1s on / 1s off	Battery Failure, replace battery
⦿ Flashing Green, 1s on / 1s off	Self-Diagnostic test underway
⦿ Slow Flashing Green, 0.1s on / 3s off	Normal working in EM mode
● Solid Red	No load or output over voltage protection triggered , Check LED connection
● Solid Red	Over Current Protection
⦿ Flashing Green, 2s on/0.5s off	Enables Self-diagnosis
⦿ Flashing Green, 0.5s on/2s off	Cancel Self-diagnosis
⦿ Flashing Red, 1s on/4s off	Over Temperature Protection
⦿ Flashing Red, 0.5s on/3s off	Abnormal Power-on Under Self-diagnosis/Battery Voltage abnormal

TEST SWITCH OPERATIONS

EM Test:

Press and hold the test button (>1s) to enter EM mode in normal AC powered.

Manual Self-Diagnostic:

After charging twelve (24) hours at least, quickly press the test button three(3) times to force the controller to enter Self-Diagnostic cycle. To quit the Self-Diagnostic cycle after engaged, press and hold the test button for three (3) seconds.

Enable/Disable Self-Diagnostic Status:

Fast click 2 times within 2s to query the Self-Diagnostic Enabled/Disabled status. The indicator would blink for current status for 3 cycles. 2.5s ON/0.5s OFF stands for Enabled. 0.5s ON/2.5sOFF stands for Disabled.

Cancel reporting error:

In standby, press and hold the button for about 5s to cancel the error indication.

Turn Off EM Output:

Press and hold the test switch for 5 seconds during EM output condition to turn off EM output. This is useful for production environment to turn off the EM output once a luminaire has completed functionality testing.

FHSCP-UNV4-20W-L-SD-A



RoHS
COMPLIANT

Guidelines

Grounding

- Driver must be grounded by means of the Driver case.

Overload Protection

- If the maximum output power is exceeded, the LED driver switches off automatically, after elimination of the overload the normal operation is restored automatically.

LED Load

- Fulham's Hotspot Constant Power Emergency LED drivers are designed to drive passive LED's, COB's and LED assemblies. Proper function is not guaranteed when (LED) loads with active components are used.

Mounting and cooling

- Above an output power of 10W, the driver need to be mounted on a heat conductive surface of at least 100cm². Always test if the surface is sufficient enough before installing the LED driver.

Short Circuit Protection

- In case of a short circuit the LED driver switches to protection mode. After removal of the short-circuit the LED driver will recover automatically.

No Load Operation

- In no-load operation the output voltage will not exceed the specific open circuit output voltage.

Hot Swapping

- This driver does not support the hot swapping of the LED's.

Remote Mounting

- up to 50ft with 18AWG wire. Contact Fulham for higher remote distance.

Warranty

- Reference Fulham's limited Warranty: <https://cdn.fulham.com/PDFs/Limited-Warranty.pdf>

FHSCP-UNV4-20W-L-SD-A



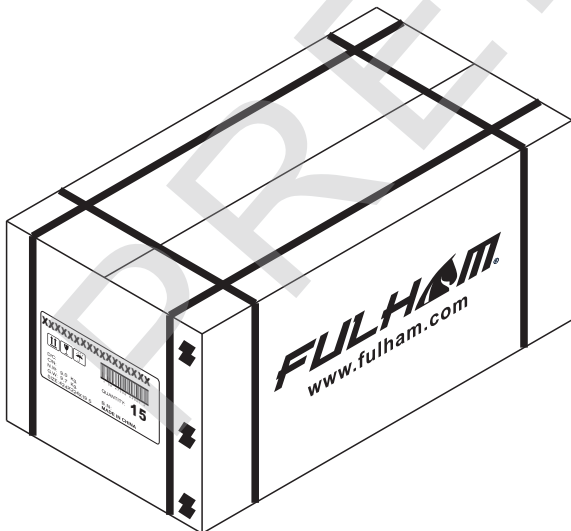
Part Number Matrix

<u>FHS</u>	<u>CP</u>	<u>UNV4</u>	<u>20W</u>	<u>L</u>	<u>SD</u>	<u>A</u>
<u>LED Driver</u>	<u>Driver Type</u>	<u>Input Voltage</u>	<u>Max Output Power</u>	<u>Case Type</u>	<u>Special Features</u>	<u>Special Features</u>
FHS = FireHorse HotSpot Driver	CP = Constant Power	UNV4 = 100V-480V	20W = 20 Watts	L = Long Case	SD = Self Diagnostic	A = Conduit

Product Image: FHSCP-UNV4-20W-L-SD-A

Packaging

Master Carton



OUTER DIMENSION		
L	W	H
Net Weight	Gross Weight	QUANTITY