



VRMUNV036RD7yyA

**14" Round
LED Retrofit Kit for
Garage Lights and Gas
Station Canopies**

LED Retrofit Kit for PHILIPS GARDCO Garage Light



ETL CLASSIFIED



Intertek
5027868

Integrated LED Retrofit Kit with LED Module,
LED Driver, heatsink and 10KV SPD.

Target Luminaire

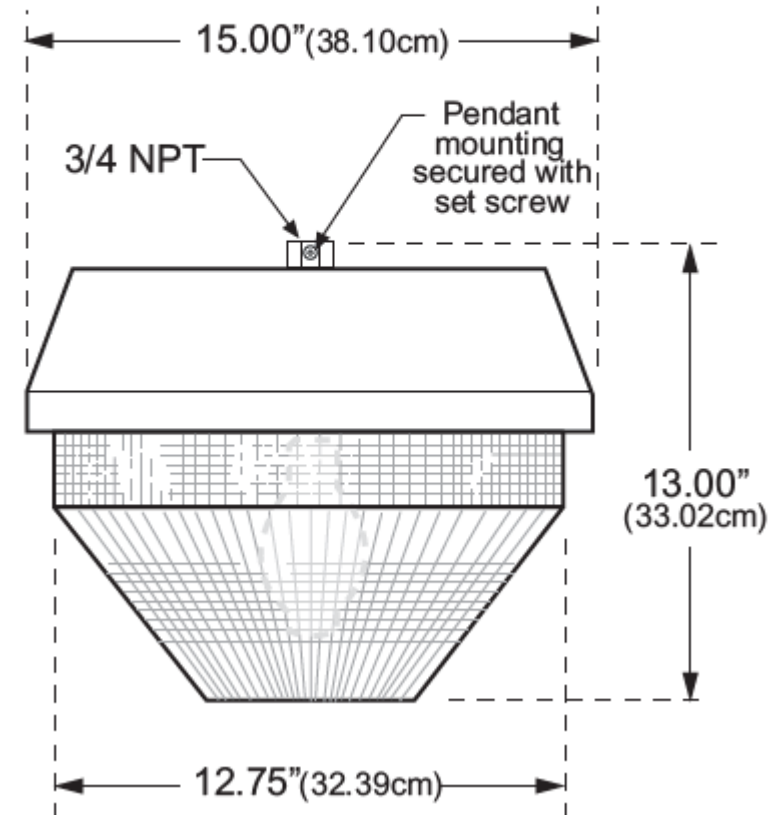


Original Luminaire

Mfr: Philips - Model: RSP-HAZ / RSP-E-HAZ



Minimum Luminaire ④ Dimensions



The LED Retrofit Kit can retrofit any similar designed shaped luminaire with volume greater or equal to the minimum dimensions shown on the Installation Instruction with a minimum mounting surface of 14" Diameter.

General Specification



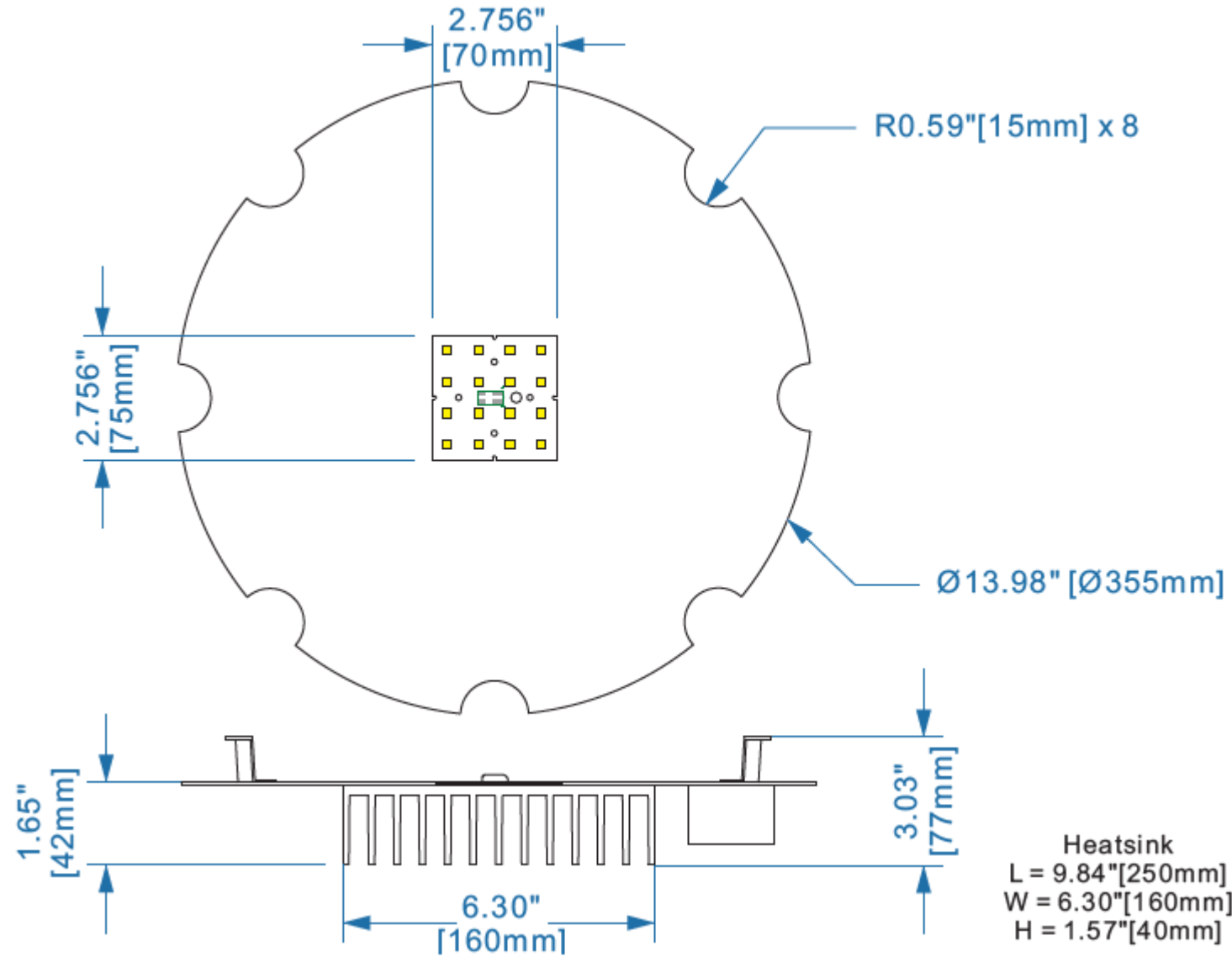
- Input Voltage: 120-277VAC, 50/60Hz
- Input Current: 0.34A@120VAC
- Input Power: 39W (ETL Claim); typ. measurement 37W.
- Lumen output: 6067lm without luminaire lens
- Efficacy: 164lm/W without luminaire lens
- CCT: 4000K Standard; other CCT available
- CRI: 70 Standard; 80,90 available
- Dimming: Reserved, 0-10V, 100%-10%
- Operating Ambient Range: -25°C ~ 55°C
- Surge Protection: MCOV: 320V; I_{max}: 10KA
- Overall size: Φ13.98" x 3.03" H
- Lumen Maintenance: L70>54,000hrs, L90 = 37,000hrs @ T_c = 105°C
- Warranty: 5 Years
- Certification: Driver – cULus Listed, Class P, Type HL
 - Module – cURus Recognized
 - Kit – cETLus Classified
- Dry and Damp Location
- RoHS compliant

Highlights

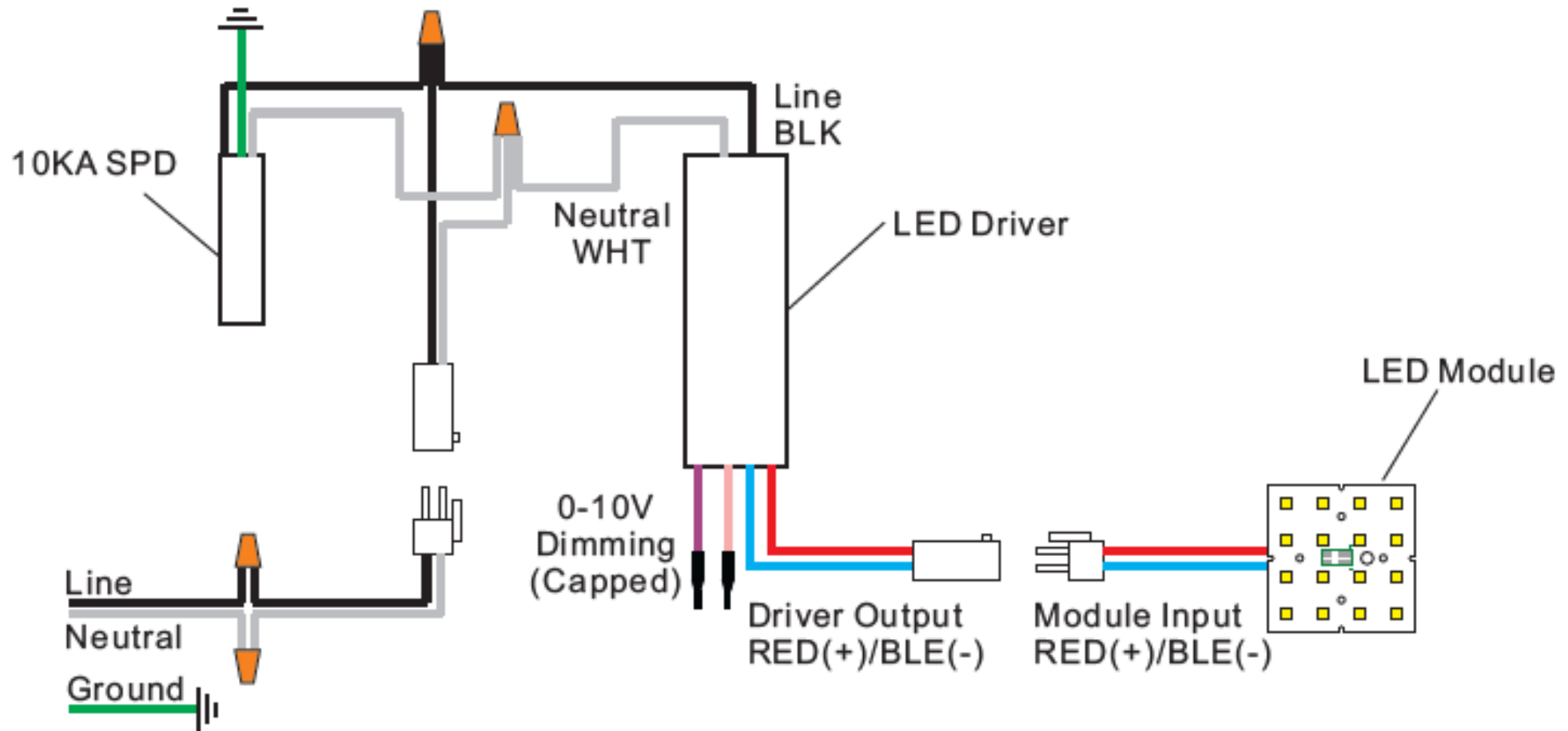


- Retrofit kit suitable for Canopy, Garage Luminaires
- Suitable replacement for applications using 70-250W HID
- High efficacy: 50% power saving to HID
- Instant on/off, no cool down time needed
- External SPD for 10kV surge
- Integrated one-piece Retrofit Kit, easy to install, labor saving
- Quick connectors for driver input & output, no wire cut needed for installation
- cETLus Classified Retrofit Kit for field installation

Dimensions



Wiring Diagram

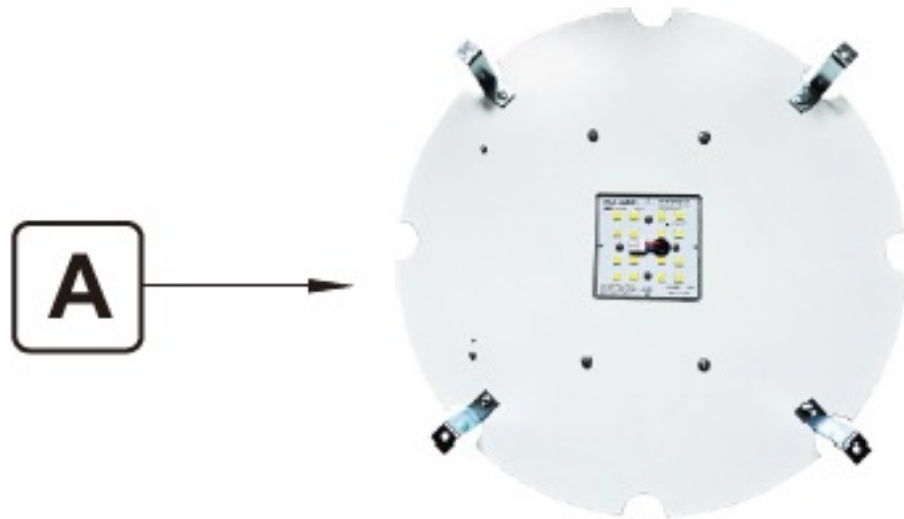


All parts are pre-installed and pre-wired as one piece kit,
no need additional wiring except wiring the input & ground leads.



Installation Instructions

Retrofit Kit Components



LED Engine Retrofit Kit



This luminaire has been modified to operate LED lamps. Do not attempt to install or operate HID lamps in this luminaire.

REPLACE ONLY WITH FULHAM ELECTRONIC CO. : VRMUNV036RD740A.

Ce luminaire a été modifié pour fonctionner correctement Lumières LED. N'essayez pas d'installer ou de faire fonctionner Lampe HID dans ce luminaire.

REPLACER UNIQUEMENT AVEC FULHAM ELECTRONIC CO. : VRMUNV036RD740A.

Retrofit Label

Note:

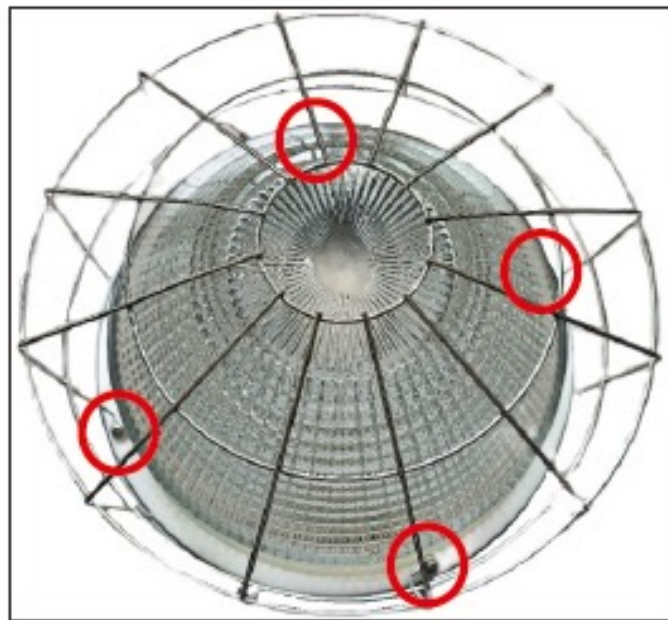
The LED driver, LED module and the SPD are all pre-wired on the kit with quick disconnect or wire nuts.

Retrofit Kit Assembly



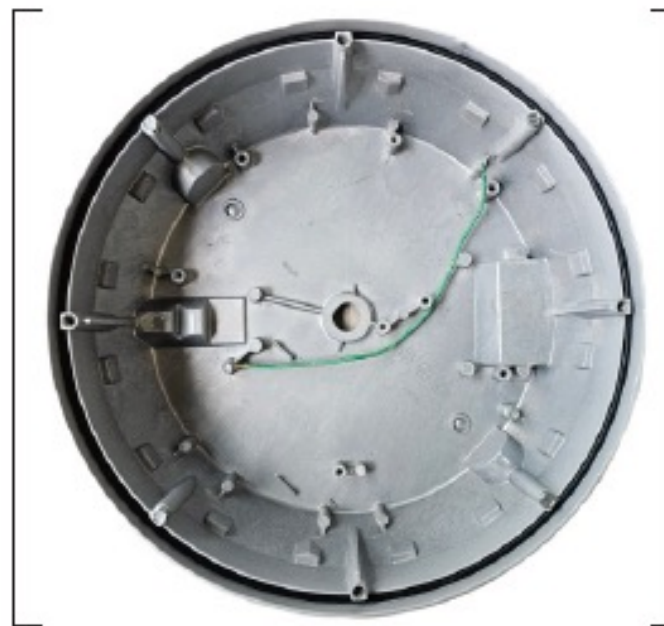
STEP1: Disconnect power before servicing. Remove all four screws on luminaire lens to gain the access to internal components.

Note: Please keep all original screws during the retrofit process.



STEP2: Remove all original LED engine, LED driver, or lamp, lampholder, ballast from the luminaire housing. The housing should be shown as below ready for new retrofit kit.

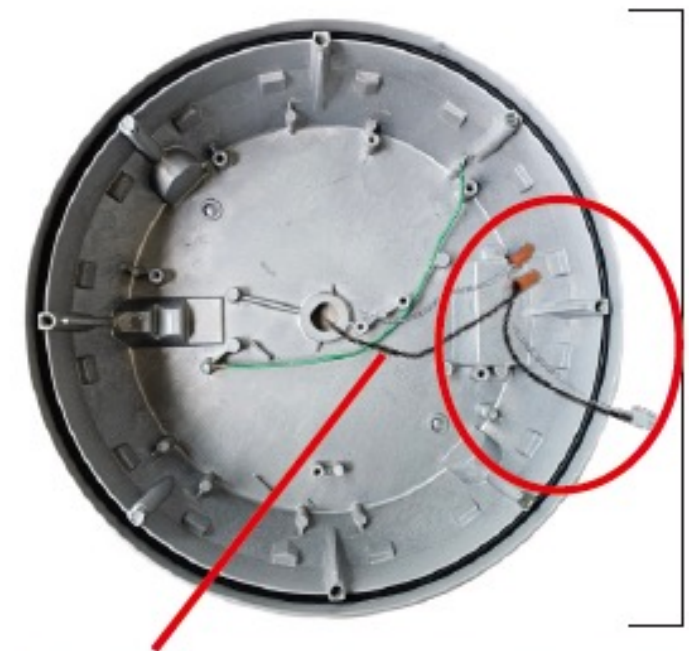
Note: The original luminaire ground wire will need to be kept for this retrofit.



Note: A new ground wire is also provided along the kit. If there's no ground wire in original luminaire, use the provided one.

STEP3: Disconnect the input harness from the received retrofit kit. Wire nut the input harness leads to the existing branch circuit supply leads.

Note: Input harness and two wire nuts come with the retrofit kit.



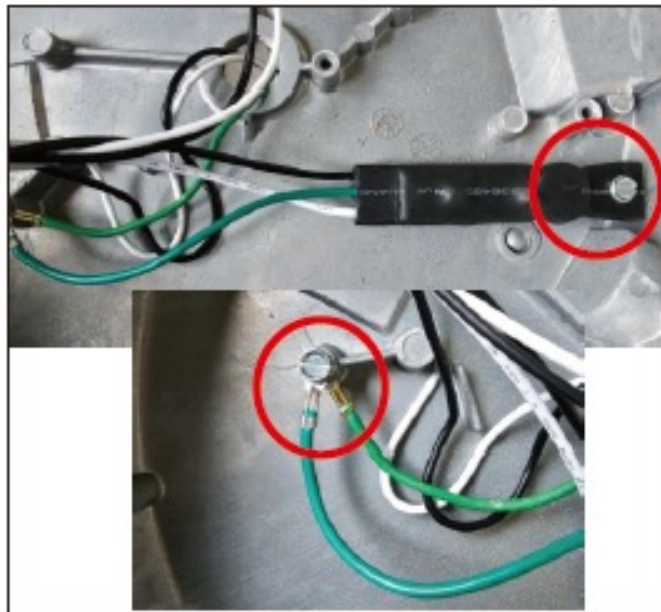
The existing branch circuit supply leads.

Retrofit Kit Assembly

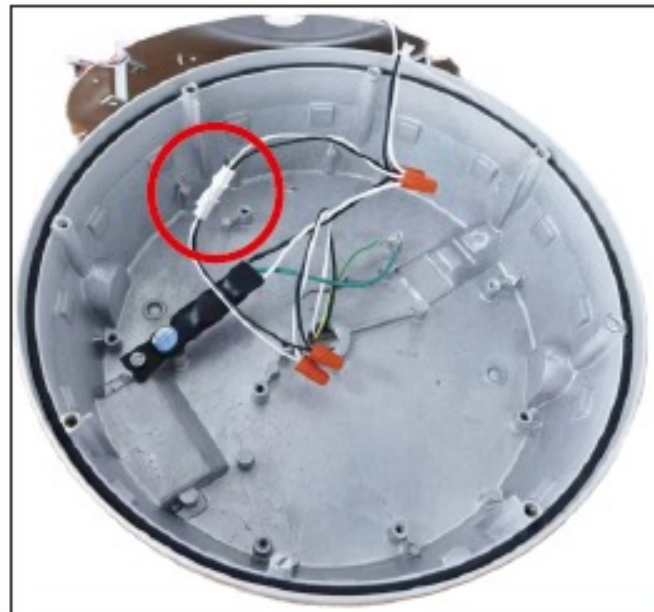


STEP4: Screw the Surge Protector (SPD) to the showed luminaire boss. Screw the SPD's ground terminal together with the luminaire ground terminal onto the original ground boss.

Note: Use the original #10 screws in luminaire to fix the SPD and ground terminals.



STEP5: Mate the input harness quick disconnect.



STEP6: Place the retrofit assembly into the housing and mount using four original 10-24x3/8" screws.

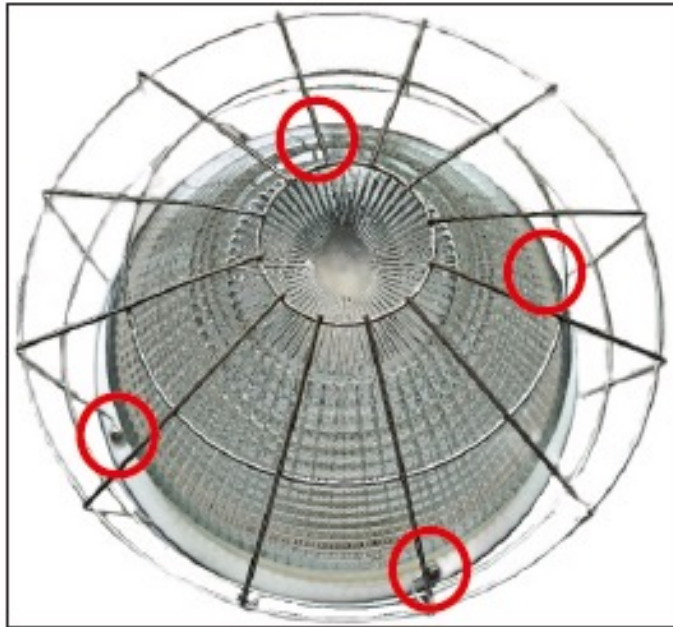


Retrofit Kit Assembly



STEP7: Use the original four screws to install the luminaire lens back onto the product.

Note: For all models, live parts should not be accessible after installation.



STEP8: Place the provided Retrofit Label on the outer housing of the luminaire. Label must be clearly visible and should not be obscured by line voltage cables.

