

INSTALLATION INSTRUCTIONS

VizionLED 120-277VAC LED Engine Retrofit Kit

VRMUNV036RDxyz

Reference spec sheet for full part numbers



LED LIGHT ENGINE APPLICATION PROGRAM

MANUAL FOR LED LIGHT ENGINE KIT INSTALLATION

1.0 INSTALLATION WARNINGS

1. "THIS PRODUCT MUST BE INSTALLED IN ACCORDANCE WITH THE APPLICABLE INSTALLATION CODE BY A PERSON FAMILIAR WITH THE CONSTRUCTION AND OPERATION OF THE PRODUCT AND HAZARDS INVOLVED."
2. "WARNING - Risk of fire or electric shock. LED Retrofit kit installation requires knowledge of luminaires electrical systems. If not qualified, do not attempt installation. Contact a qualified electrician."
3. "WARNING - Risk of fire or electric shock. Install this kit only in the luminaires that has the construction features and dimensions shown in the photographs and/or drawings and where the input rating of the retrofit kit does not exceed the input rating of the luminaire."
4. "WARNING - To prevent wiring damage or abrasion, do not expose wiring to edges of sheet metal or other sharp objects."
5. "WARNING - Risk of fire or electric shock. Luminaire wiring and electrical parts may be damaged when drilling for installation of LED retrofit kit. Check for enclosed wiring and components."
6. "CAUTION - RISK OF FIRE. CONSULT A QUALIFIED ELECTRICIAN TO ENSURE CORRECT BRANCH CIRCUIT CONDUCTOR."
7. "THE RETROFIT KIT IS ACCEPTED AS A COMPONENT OF A LUMINAIRE WHERE THE SUITABILITY OF THE COMBINATION SHALL BE DETERMINED BY THE AUTHORITIES HAVING JURISDICTION. PRODUCT MUST BE INSTALLED BY A QUALIFIED ELECTRICIAN IN ACCORDANCE WITH THE APPLICABLE AND APPROPRIATE ELECTRICAL CODES. THE INSTALLATION GUIDE DOES NOT SUPERSEDE LOCAL OR NATIONAL REGULATIONS FOR ELECTRICAL INSTALLATIONS."
8. "CAUTION - DO NOT MAKE OR ALTER ANY OPEN HOLES IN AN ENCLOSURE OF WIRING OR ELECTRICAL COMPONENTS DURING KIT INSTALLATION."

1.0 AVERTISSEMENTS D'INSTALLATION

1. CE PRODUIT DOIT ÊTRE INSTALLÉ SELON LE CODE D'INSTALLATION PERTINENT, PAR UNE PERSONNE QUI CONNAÎT BIEN LE PRODUIT ET SON FONCTIONNEMENT AINSI QUE LES RISQUES INHÉRENTS.
2. AVERTISSEMENT - Risque d'incendie ou de choc électrique. L'installation de ce nécessaire de modernisation exige une personne familière avec la construction et le fonctionnement du système électrique du luminaire et des risques associés. Toute personne qui n'est pas qualifiée ne doit faire aucune tentative d'installation et doit contacter une personne qualifiée.
3. AVERTISSEMENT - Risque d'incendie ou de choc électrique. N'installer ce nécessaire que dans les luminaires dont les caractéristiques de construction et les dimensions sont conforme à celles illustrées dans les photos et/ou les dessins et dont la puissance d'entrée nominale du nécessaire de modernisation ne dépasse pas celle du luminaire.
4. AVERTISSEMENT - Afin de prévenir l'endommagement ou l'abrasion des câbles, éviter tout contact entre ces derniers et le bord d'un objet tranchant tel qu'une tôle.
5. AVERTISSEMENT - Risk d'incendie ou de choc électrique. Le câblage du luminaire et les pièces électriques peuvent être endommagés lors du forage pour l'installation d'un kit de reconditionnement LED. Vérifiez le câblage et les composants inclus.
6. ATTENTION - RISQUE D'INCENDIE, CONSULTER UN ÉLECTRICIEN QUALIFIÉ POUR VOUS ASSURER QUE LES CONDUCTEURS DE LA DÉRIVATION SONT ADÉQUATS.
7. LE NÉCESSAIRE DE MODERNISATION EST ACCEPTÉ À TITRE DE COMPOSANT D'UN LUMINAIRE LORSQUE LA PERTINENCE DE LA COMBINAISON DOIT ÊTRE DÉTERMINÉE PAR LES AUTORITÉS COMPÉTENTES. LES PRODUITS DOIVENT ÊTRE INSTALLÉS PAR UN ÉLECTRICIEN QUALIFIÉ CONFORMÉMENT AUX CODES ÉLECTRIQUES APPLICABLES ET APPROPRIÉS. LES LIGNES DIRECTRICES D'INSTALLATION NE REMPLACENT PAS LES RÈGLEMENTS LOCAUX OU NATIONAUX SUR L'INSTALLATION ÉLECTRIQUE.
8. ATTENTION - NE PAS FABRIQUER OU MODIFIER DES TROUS OUVERTS DANS LE BOÎTIER DU CÂBLAGE OU DES COMPOSANTS ÉLECTRIQUES PENDANT L'INSTALLATION DU KIT.

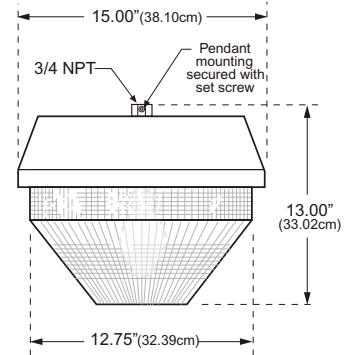
3.0 ORIGINAL LUMINAIRE DIMENSIONS

Original Luminaire

Mfr: Philips - Model: RSP-HAZ / RSP-E-HAZ



Minimum Luminaire Dimensions

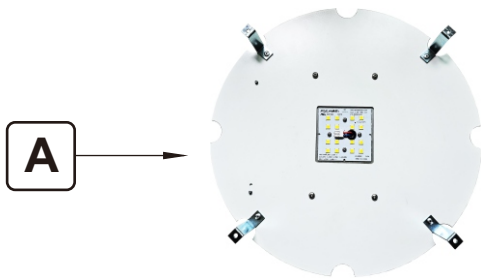


- Remove all the original luminaire parts, lamp, lampholder and ballast in order to begin the retrofit.
- Original luminaire diffuser and original ground wire will need to be kept for this retrofit.

NOTE: Wire on dedicated lighting branch circuit. Do not wire on same branch circuit as motors, heating elements, inductive type loads or heavy machinery which may introduce spikes, noise and other abnormalities onto the Line. Doing so may result in damage to the unit or abnormal lighting conditions.

4.0 RETROFIT KIT COMPONENTS

Retrofit kit components will be provided as listed below:



LED Engine Retrofit Kit



This luminaire has been modified to operate LED lamps. Do not attempt to install or operate HID lamps in this luminaire.

REPLACE ONLY WITH FULHAM ELECTRONIC CO.: VRMJNV036RD740A.

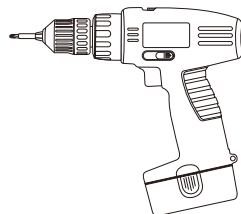
Ce luminaire a été modifié pour fonctionner correctement Lumières LED. N'essayez pas d'installer ou de faire fonctionner Lampe HID dans ce luminaire.

REPLACER UNIQUEMENT AVEC FULHAM ELECTRONIC CO.: VRMJNV036RD740A.

Retrofit Label

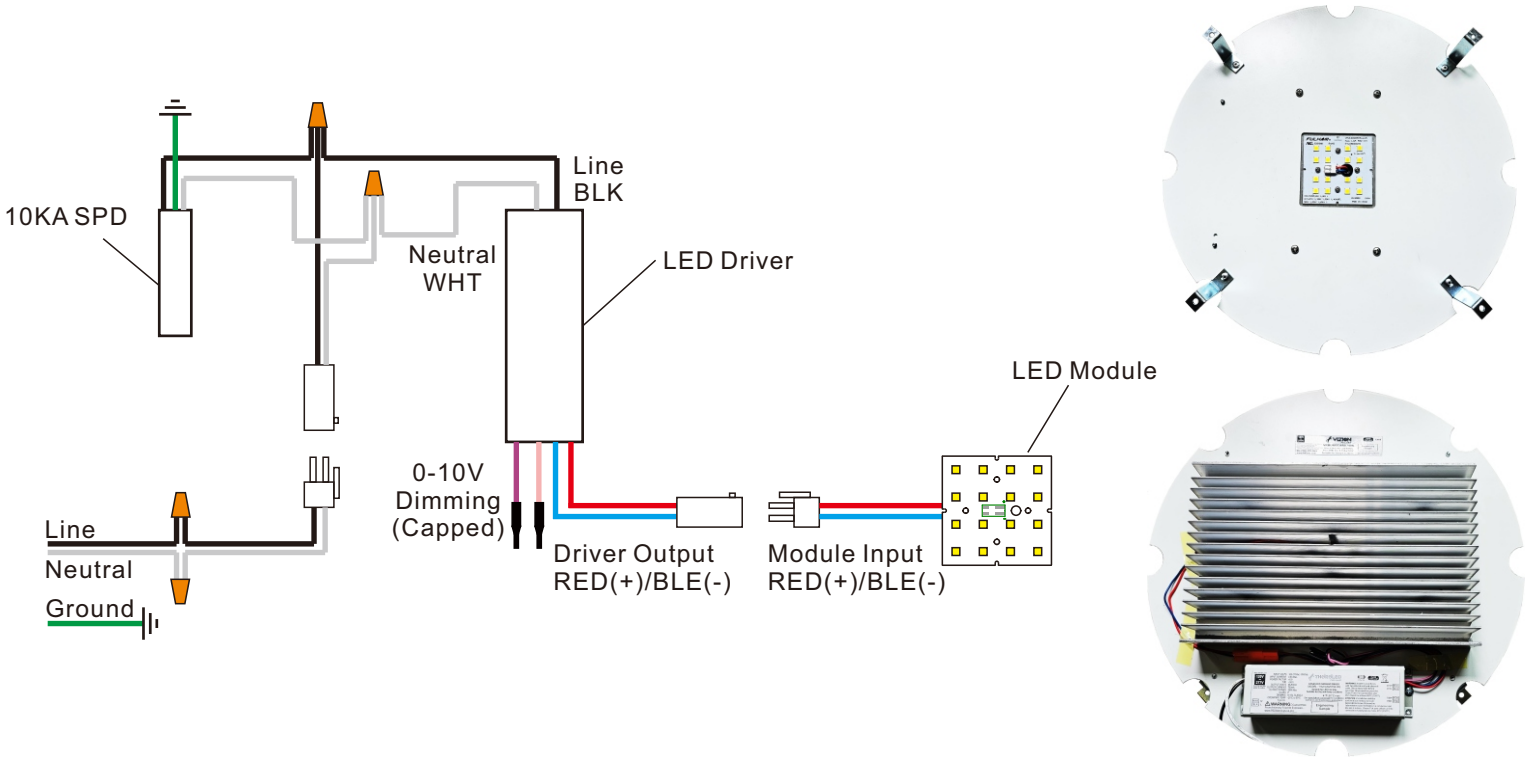
Note:
The LED driver, LED module and the SPD are all pre-wired on the kit with quick disconnect or wire nuts.

5.0 RECOMMENDED TOOLS (Not Included)



Power Drill W/ Philips & Slot Bit

6.0 RETROFIT KIT WIRING DIAGRAM



7.0 RETROFIT KIT ASSEMBLY

STEP1: Disconnect power before servicing. Remove all four screws on luminaire lens to gain the access to internal components.

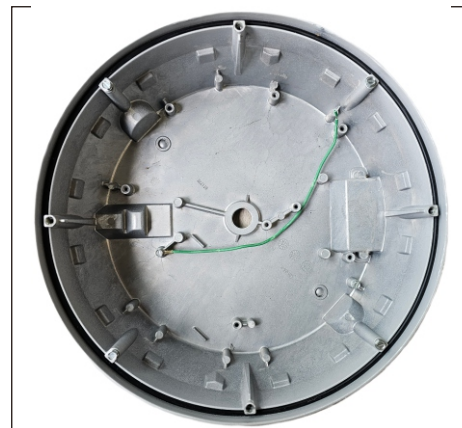
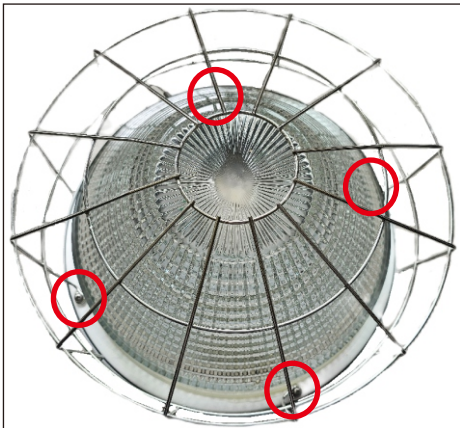
Note: Please keep all original screws during the retrofit process.

STEP2: Remove all original LED engine, LED driver, or lamp, lampholder, ballast from the luminaire housing. The housing should be shown as below ready for new retrofit kit.

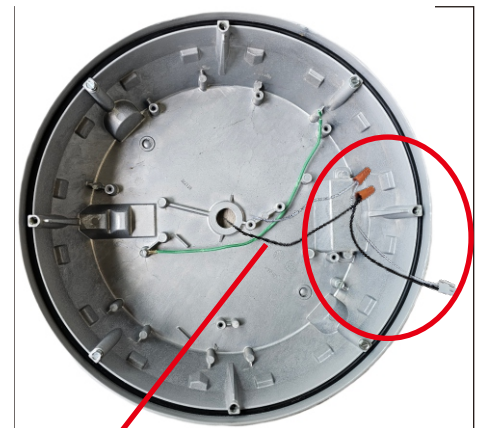
Note: The original luminaire ground wire will need to be kept for this retrofit.

STEP3: Disconnect the input harness from the received retrofit kit. Wire nut the input harness leads to the existing branch circuit supply leads.

Note: Input harness and two wire nuts come with the retrofit kit.



Note: A new ground wire is also provided along the kit. If there's no ground wire in original luminaire, use the provided one.



The existing branch circuit supply leads.

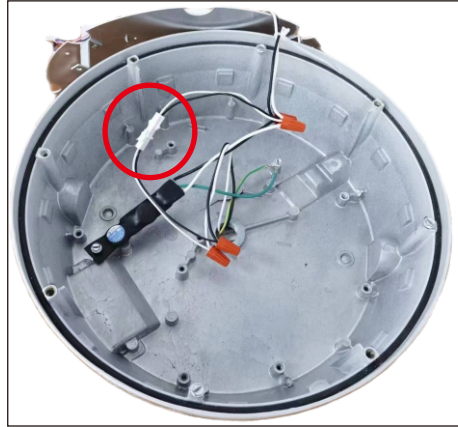
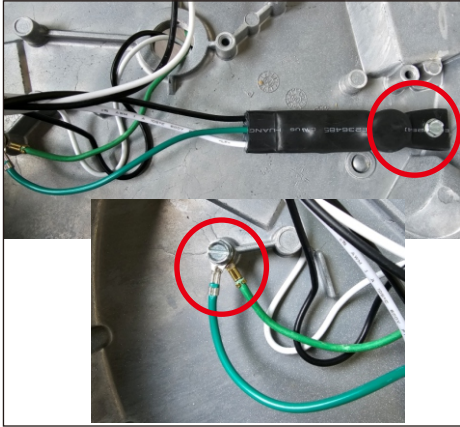
7.0 RETROFIT KIT ASSEMBLY

STEP4: Screw the Surge Protector (SPD) to the showed luminaire boss. Screw the SPD's ground terminal together with the luminaire ground terminal onto the original ground boss.

Note: Use the original #10 screws in luminaire to fix the SPD and ground terminals.

STEP5: Mate the input harness quick disconnect.

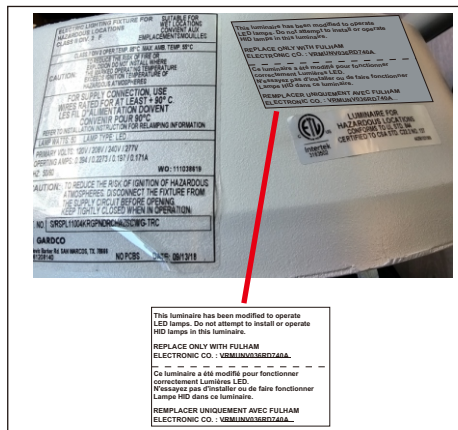
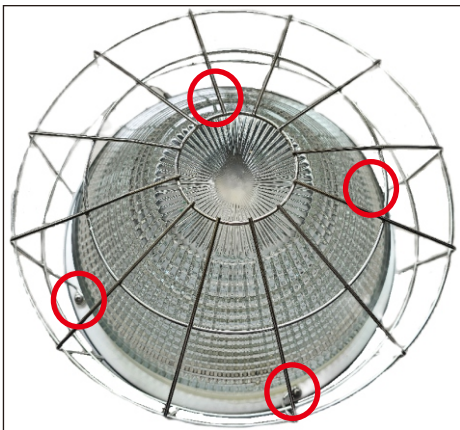
STEP6: Place the retrofit assembly into the housing and mount using four original 10-24x3/8" screws.



STEP7: Use the original four screws to install the luminaire lens back onto the product.

Note: For all models, live parts should not be accessible after installation.

STEP8: Place the provided Retrofit Label on the outer housing of the luminaire. Label must be clearly visible and should not be obscured by line voltage cables.



Connecting Power to the Retrofit:

- 1) Connect the luminaire Ground Boss together with SPD's Ground terminal to the Ground that is being fed by the power source.
- 2) Connect the White wire (Neutral) from the retrofit kit to the Neutral being fed by the power source. Connect these two wires by using a wire nut with a minimum 18AWG rating.
- 3) Connect the Black wire (Line) from the retrofit kit to the Line being fed by the power source. Connect these two wires by using a wire nut with a minimum 18AWG rating.

8.0 WARRANTY

- Please refer to retrofit kit spec sheet for warranty information